



STB Series Parallel Straightedge Board Usage & Care Instructions

Thank you for purchasing a Pacific Arc STB Portable Drawing Board. With proper care and handling your STB will provide you with years of accurate and productive use.

STB Series Boards are available in the following sizes:

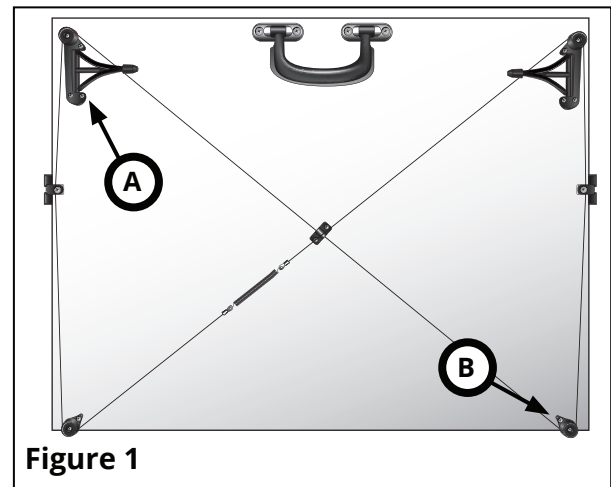
| | |
|----------|-----------|
| STB-1621 | 16" x 21" |
| STB-1824 | 18" x 24" |
| STB-2026 | 20" x 26" |
| STB-2331 | 23" x 31" |
| STB-2436 | 24" x 36" |
| STB-3142 | 31" x 42" |



General Usage Information

While your STB is shipped with the straightedge tightened as firmly as possible to the top of the board to help prevent damage en route, the straightedge is designed to be lifted slightly off the surface of the board when sliding it up and down: to facilitate this action, gently loosen the Phillips head screws on both ends of the bar about a $\frac{1}{2}$ to $\frac{3}{4}$ turn (do not remove) and gently lift the bar up between $\frac{1}{8}$ " and $\frac{1}{4}$ " and then gently retighten. This will help 'relax' the bar and allow easy movement over surfaces up to $\frac{3}{16}$ " thick.

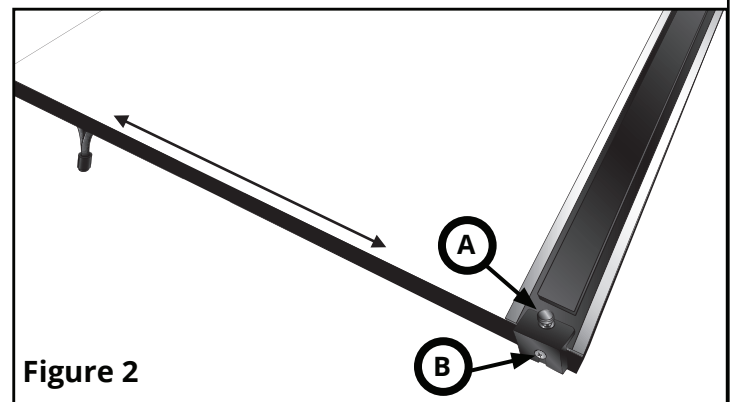
The STB can be used in the flat or elevated position. Open or close the legs underneath (A) for desired angle. Rubber bumpers (B) on the bottom of the board help provide a stable working surface. (Figure 1)



To Fine Tune Straightedge Parallelism

To align to the board itself:

Slide the parallel bar to the very bottom of the board gently loosen the screw knobs (A) on the top of the board about $\frac{1}{2}$ turn (do not remove), carefully adjust the bar until it is completely aligned with the board, and then gently retighten. (see Figure 2)



To Adjust Parallelism When Fine Tuning Is Not Enough

Slide the bar to the bottom edge of the board and make sure the two top screw knobs (A) are firmly but gently tightened. Then, using a Phillips head screwdriver, loosen ONE of the two side screws (B) about $\frac{1}{2}$ turn (do not remove), adjust the bar until it is completely aligned with the board, and then gently but firmly retighten. (see Figure 2)

To Replace or Reset the Wire

Note: A Phillips screwdriver is needed to replace or reset the wire.

- 1** Start with the blade centered and locked in the middle of the board.
- 2** Remove the small wire capture screw from the bottom of the bar (A). (see figure 3)
- 3** Thread wire through all four pulleys (see Figure 4 & 5) with ends meeting in the middle.
- 4** Crosswire should go under the wire cover plate (D) in the center of the board. (see Figure 6)
- 5** Attach spring to loops at each end of wire (E). Spring should be in the center of the board and should ride above the wire cover plate, not under it.
- 6** Tighten wire capture screw and and tighten securely.

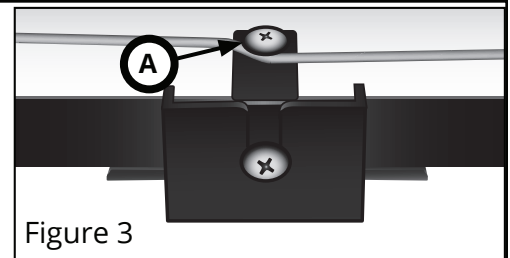


Figure 3

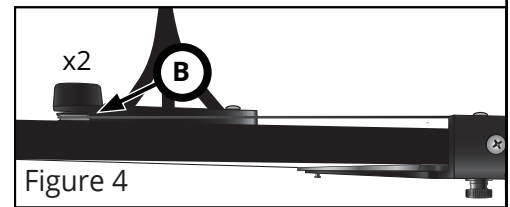


Figure 4

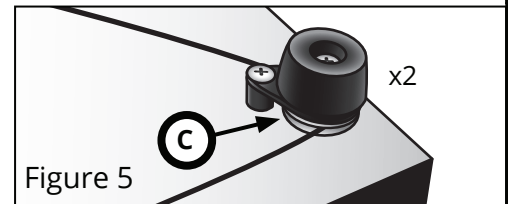


Figure 5

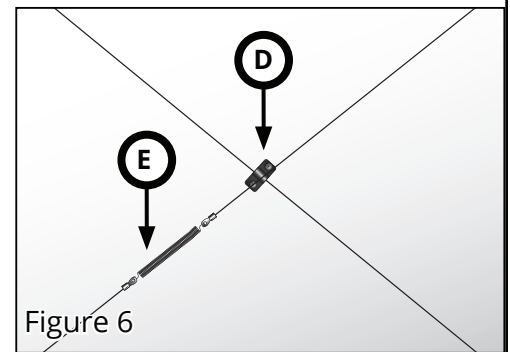


Figure 6

Care and Handling

- Keep top adjustment knobs tight to ensure straightedge stays parallel.
- Avoid over tightening adjustment knobs or damage may occur.
- Clean board surface and underside of blade with mild detergent and soft cloth. Wipe dry.
- When transporting or storing the STB, lock the straightedge at the bottom edge of the board to minimize the chance of damage.
- Protect your STB from damage by storing and transporting in a protective case.
- Do not attempt to move straightedge with brakes tightened.
- Avoid direct exposure to sunlight and extreme heat.

Troubleshooting

If straightedge does not slide easily up and down, check that:

- Wires pass properly through pulleys
- Pulleys are spinning freely
- Spring is not running into pulleys