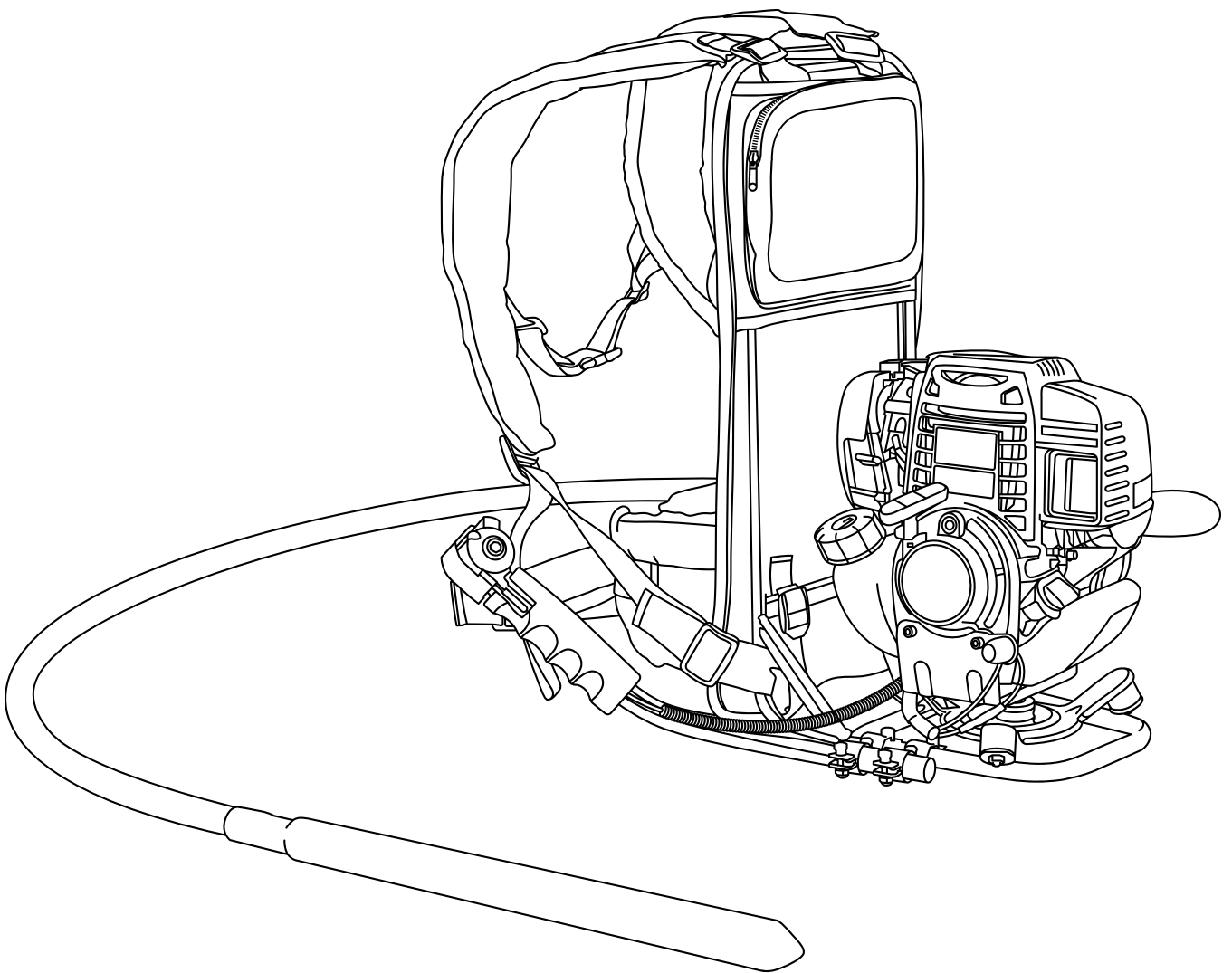


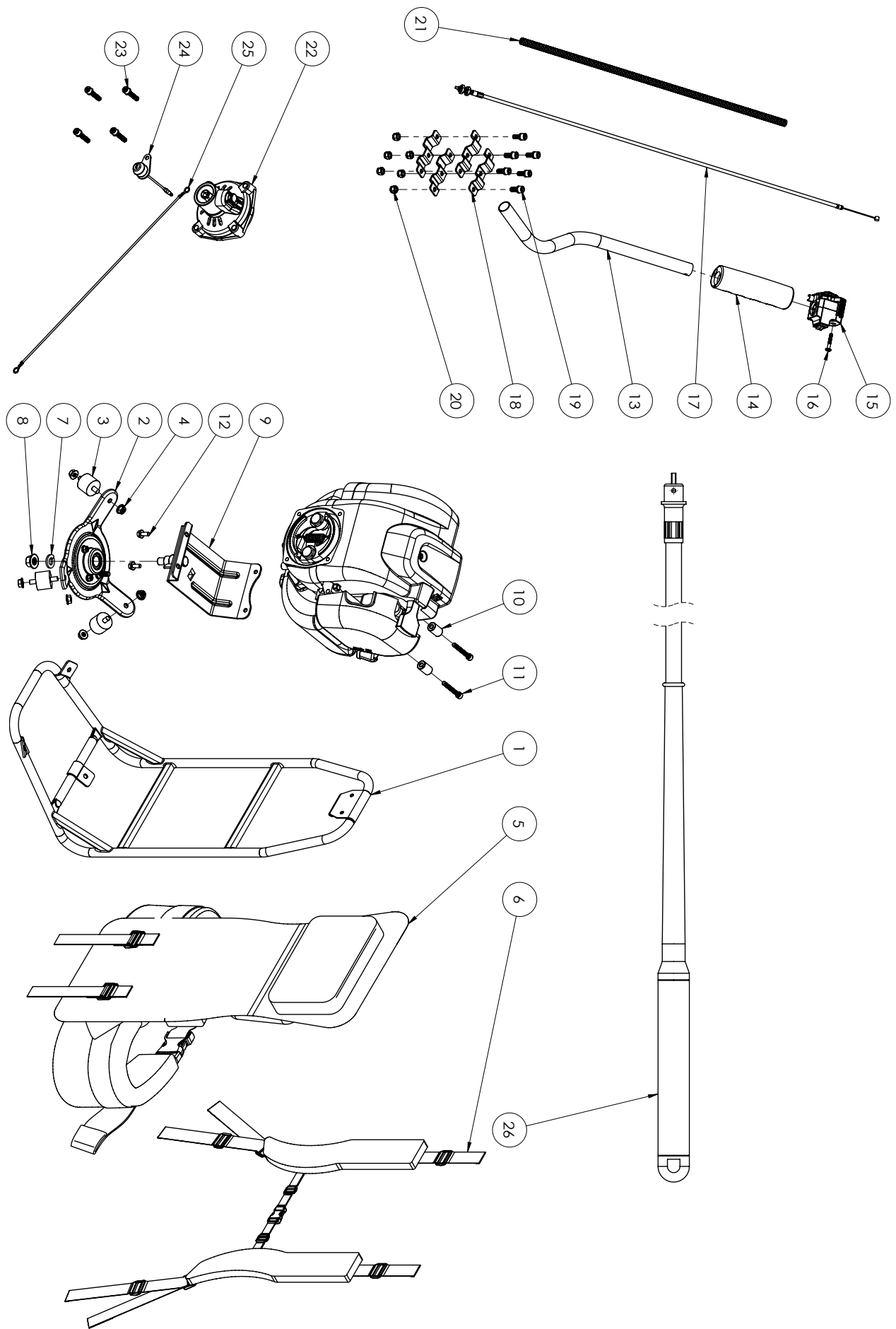
TOMAHAWK

**TVIBH
BACKPACK CONCRETE VIBRATOR**

Parts Manual



CONCRETE VIBRATOR ASSEMBLY



CONCRETE VIBRATOR ASSEMBLY

NO.	PART NO.	PART NAME	QUANTITY
1	BM01-9B	BACKPACK FRAME	1
2	DM043-B-ROHS	VIBRO-ISOLATING SUPPORT	1
3	BM10-2501	RUBBER DAMPER	3
4	XHW6	SCREW NUT	6
5	RE-906	BACKPACK FRAME PAD	1
6	RE-907	BACKPACK FRAME STRAP SET	1
7	XSK10	WASHER	1
8	XHW10	SCREW NUT	1
9	CF-GX35-W-W3	ENGINE BRACKET	1
10	BF3-1355W-W3	ENGINE BRACKET SPACER	2
11	XAA540	SCREW	2
12	XFK512	SCREW	2
13	BH01-538-AE5	HANDLE BAR	1
14	BH02-1904	GRIP	1
15	AE5-1903-538-GX35	THUMB TYPE THROTTLE	1
16	XLK425	SCREW	1
17	RU-735	ENGINE WIRE	1
18	BM14-538-W3	HANDLE BAR HOLDER	4
19	XAW616SPWS	SCREW	6
20	XNW6	SCREW NUT	6
21	N-460	CORRUGATED TUBE	1
22	TG25-023	CLUTCH HOUSING SET	1
23	XAW630SPWS	SCREW	4
24	AE1-340T	STOP BUTTON	1
25	RU2-350	EARTH WIRE	1
26	AVIBRATOR-1"-3M	VIBRATOR HEAD 1" (OPTION)	1
*	AVIBRATOR-2"-3M	VIBRATOR HEAD 2" (OPTION)	



Power Your World

Tomahawk understands to keep a job-site running smoothly the proper equipment and spare parts are needed at the drop of a hat. With same day shipping and faster delivery times, count on Tomahawk to keep you powered throughout the day! With long lasting parts and engines, Tomahawk equipment will be the star of your fleet for years to come. Visit www.tomahawk-power.com to get started today!

TOMAHAWK

Tomahawk Power, LLC
San Diego, CA

Sales Support
(866) 577-4476
sales@tomahawk-power.com

Equipment Support
(866) 577-4476
support@tomahawk-power.com

www.tomahawk-power.com



FACEBOOK
facebook.com/TomahawkPowerUSA

YOUTUBE
youtube.com/TomahawkPower

INSTAGRAM
[@tomahawkpower](https://instagram.com/tomahawkpower)