

Letter Code	CONTAINER (one only)*		
Model Number	DESCRIPTION		
2981	26" Base		
2982	32" Base		
2983	38" Base		
2984	44" Base		

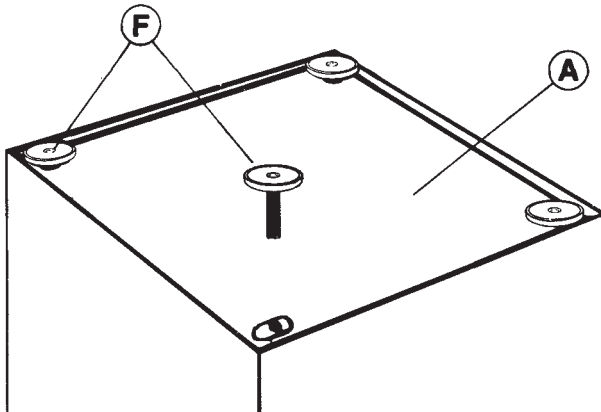
\* Each of the above Containers includes the following parts packed inside:

(G)	Plastic Tray	1	Z50719A6
-----	--------------	---	----------

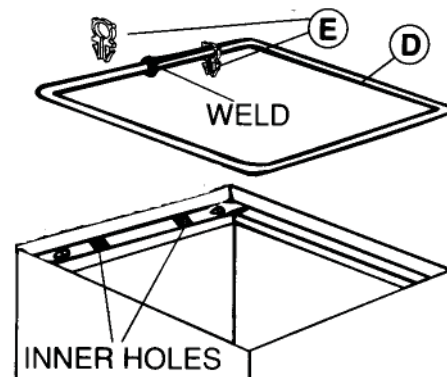
### LID AND HARDWARE KITS

MODEL	LETTER CODE	DESCRIPTION	QTY.	PART NO.
MODEL 2990CZ	(B)	Lid (Not Shown)	1	2990-05GR
	(D)	Wire Hold-Down Ring	1	F52920A3
	(E)	Plastic Clip	2	Z10425A5
	(F)	Leveling Glide	4	Z30227A3
MODEL 2990PA	(B)	Lid (Not Shown)	1	2990-04GR
	(D)	Wire Hold-Down Ring	1	F52920A3
	(E)	Plastic Clip	2	Z10425A5
	(F)	Leveling Glide	4	Z30227A3
MODEL 2990PC	(B)	Lid (Not Shown)	1	2990-03GR
	(D)	Wire Hold-Down Ring	1	F52920A3
	(E)	Plastic Clip	2	Z10425A5
	(F)	Leveling Glide	4	Z30227A3
MODEL 2990RE	(B)	Lid (Not Shown)	1	2990-02GR
	(D)	Wire Hold-Down Ring	1	F52920A3
	(E)	Plastic Clip	2	Z10425A5
	(F)	Leveling Glide	4	Z30227A3
MODEL 2990WA	(B)	Lid (Not Shown)	1	2990-01GR
	(D)	Wire Hold-Down Ring	1	F52920A3
	(E)	Plastic Clip	2	Z10425A5
	(F)	Leveling Glide	4	Z30227A3

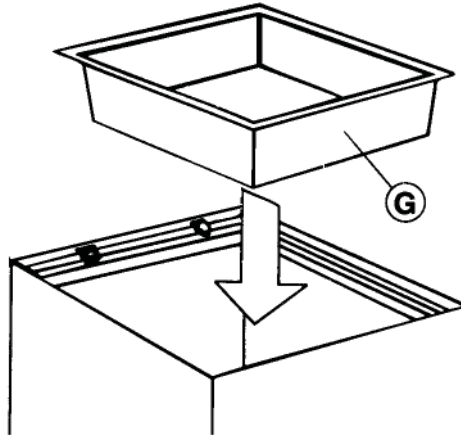
**1** Thread four (F) Leveling Glides into the holes in the bottom of (A) Container. Turn the container upright and adjust glides until the container sits level without rocking.



**2** Slip two (E) Plastic Clips over the wire on welded side of (D) Wire Hold-Down Ring. Align clips with inner holes on inside rim flange, and press points of clips firmly into the holes.

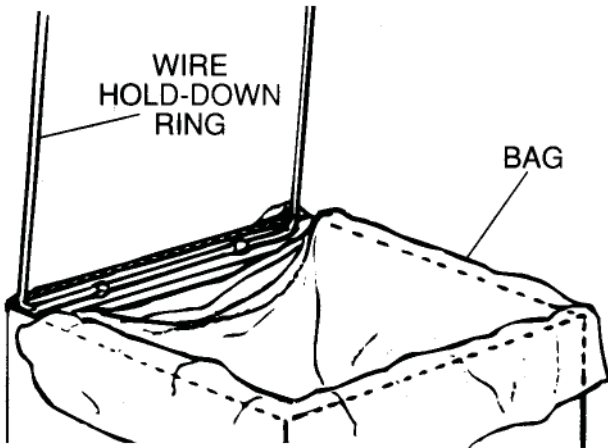


- 3** Insert **G** Plastic Tray into bottom of container to catch occasional drips or leaks.

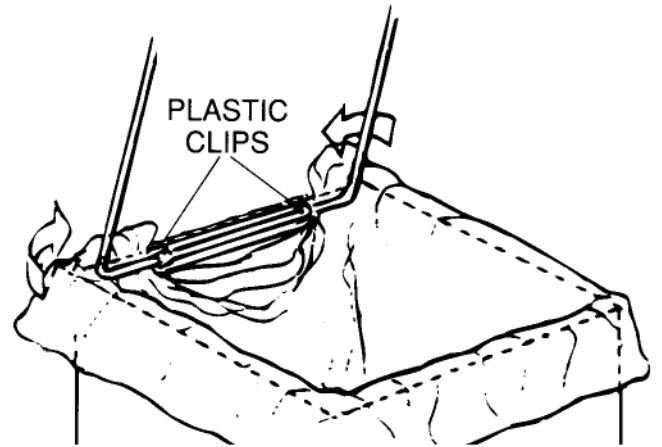


## TO INSERT PLASTIC BAGS:

- 4** Open lid, lift wire hold-down ring. Insert bag into opening and fold top edge of bag over three sides of container (not wire/clip side)



- 5** Pull two back corners of bag under corners of wire hold-down ring until bag is next to the plastic clips.



- 6** Lower wire hold-down ring into place, tuck all bag flaps neatly into inside of container (over the wire), and close the lid.



For questions or concerns, please call  
**Safco Consumer Hot Line 1-800-664-0042**  
available Monday-Friday 8:00 AM to 4:30 PM  
(Central Time)  
(English-speaking operators)