

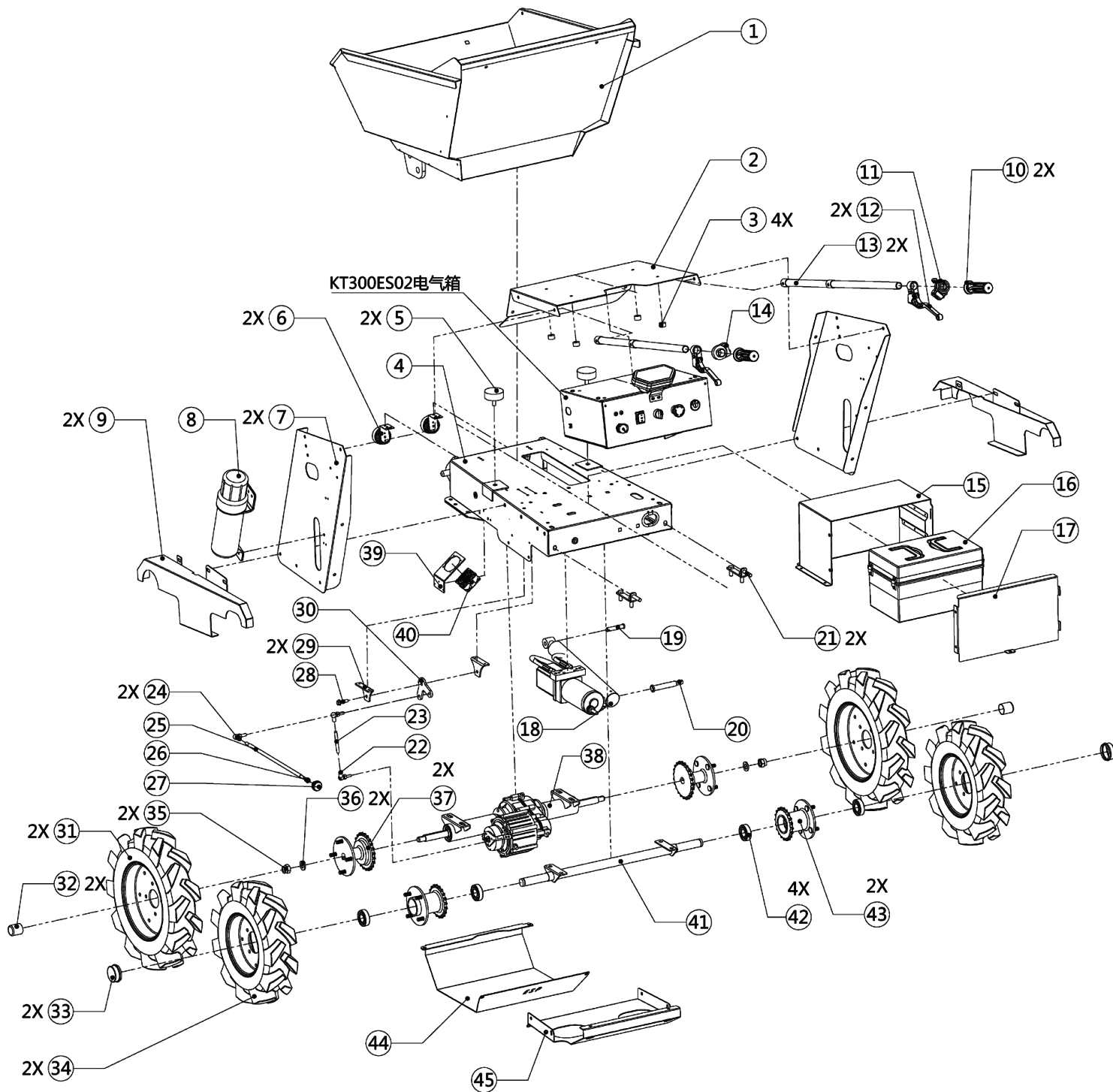
# TOMAHAWK

**TBUGGY300e  
POWER BUGGY**

**Parts Manual**



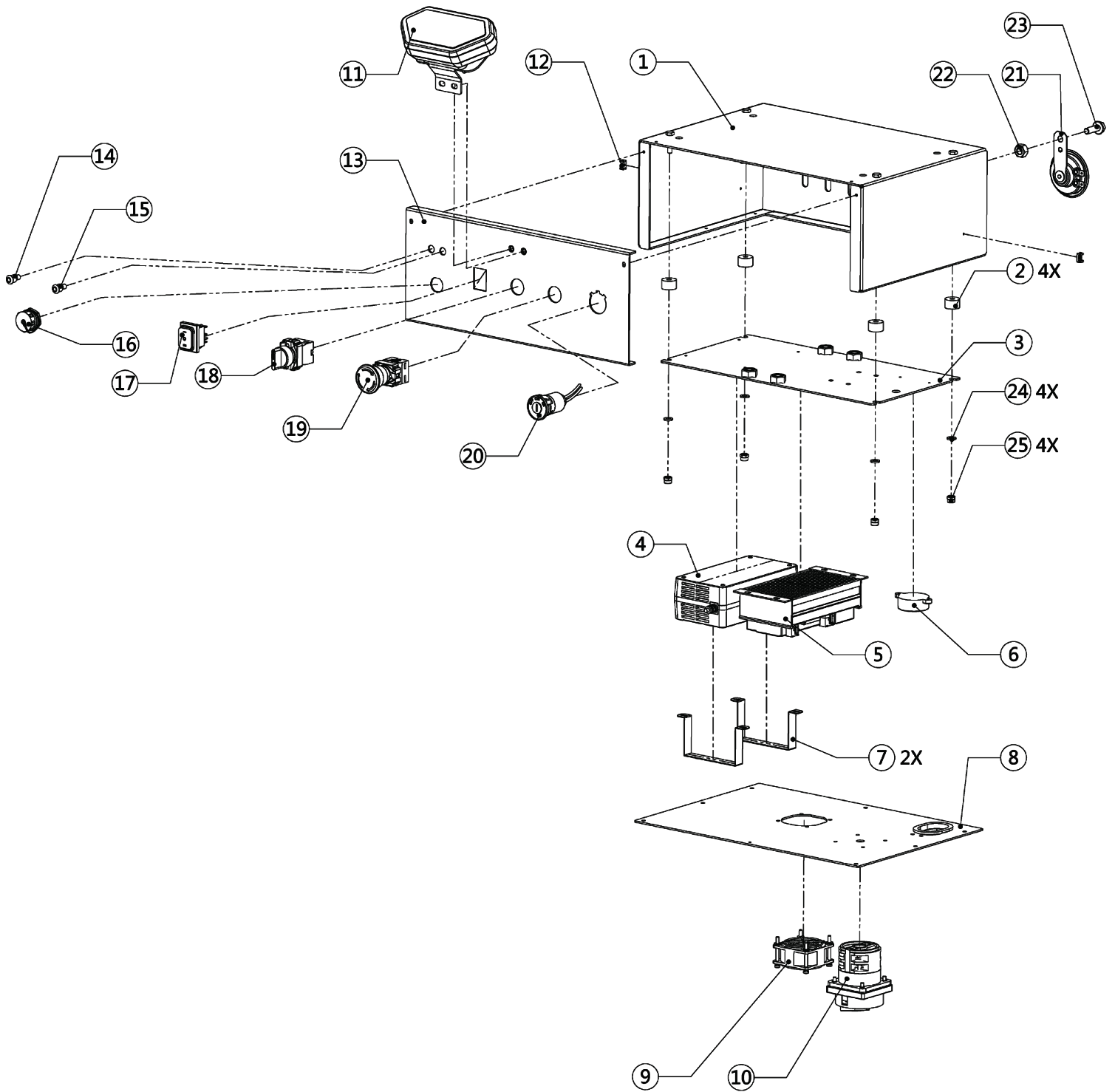
# TBUGGY300e EXPLOSION DIAGRAM



## TBUGGY300e EXPLOSION DIAGRAM

Item	No.	Description	Quantity
1	KT300ESP02M001	Skip Bucket	1
2	KT300ES01M001	Operator Panel	1
3	KT300ES02M006	Cushion Block	4
4	KT300ES04M001	Base Weldment	1
5	JZVE8560221027	Impingement Block VE 60×22- M10×27	2
6	DLEDY480401	Low Beam	2
7	KT300ES01M002	Side Cover Boards	2
8	CWT01	Storage Bucket	1
9	KTMD250A04M004	Chain Cover	2
10	DKHDT2022	Grip	2
11	KGZB01	Transmission Switch	1
12	DKSBK3	Catch Lever	2
13	KT300ES01M004	Hand Tube	2
14	DKDK21	Switch	1
15	KT300ES03M001	Battery Compartment Welding	1
16	DCQS01	48V 20AH Battery	1
17	KT300ES03M005	Battery Compartment Cover	1
18	EHY043505023501	Electric Hydro Piston System	1
19	XZ1260	Pin Shaft 1260	1
20	KT300ESP03M003	Pin Shaft 1683	1
21	KTMD250A03M005	Adjusting Plate Weldment	2
22	QJPZ0806	KYC250SM8M6 Ball joint	1
23	KT300ES06M006	Connecting Screw	1
24	QJPZ08	KYC250SM8 Ball joint	2
25	KT300ES06M005	Brake Handle	1
26	LMLJPTZ0108	GB FASTENER NUT SNAB1 M8	1
27	SBQ01M8	Handle Ball	1
28	LSFLWLJGB0830Z	GB FASTENER BOLT HFBBM8 ×30	1
29	KT300ES06M001	Brake Bracket	2
30	KT300ES06M004	Brake Connecting Plate	1
31	LTRW24010	Wheel Complete (10")	2
32	LGT012525	Rubber Sleeve	2
33	FCG0152	Dust Cover	2
34	LTRW24008	Wheel Complete (8")	2
35	LMLJNLSJZ0116	GB Hexagon Type9 M16	2
36	DPPADGB16Z	GB FASTENER WASHER PENA 16	2
37	KT300ES07M001	Sprocket Flange	2
38	KTT28690	Electric Transmission Type KTT28690	1
39	KT300ES07M002	Fan Bracket	1
40	SR01	Cooling Fans 48V	1
41	KTMD250A03M001	Rear Axle Assembly	1
42	ZCGBSGQ6205	Rolling Bearings 6205	4
43	KTMD250A03M004	Rear Sprocket Flange	2
44	KT300ESP03M002	Front Protective Plate	1
45	KT300ESP03M001	Rear Protection Plate	1

# TBUGGY300e EXPLOSION DIAGRAM



## TBUGGY300e EXPLOSION DIAGRAM

Item	No.	Description	Quantity
1	KT300ES02M001	Electric Box Welding	1
2	KT300ES02M006	Cushion Block	4
3	KT300ES02M005	Electrical Mounting Plate	1
4	CDKY482001	Charger 48V20AH	1
5	KZES4810	BLDC Controlller 48V	1
6	FMY01	Buzzer	1
7	KT300EN04M016	Charger Hoop	2
8	KT300ES02M003	Electric Box Cover	1
9	SR01	Cooling Fans 48V	1
10	KGZHM226320402	Main Power Switch	1
11	YBXW01	Meter	1
12	HC1S3M	Fixed Seat	1
13	KT300ES02M004	Key Switch Board	1
14	CDLEDR01	Charging Indicator (REDLED)	1
15	CDLEDG01	Charging Indicator (GreenLED)	1
16	CDJKSP2101	Charging Port	1
17	KGQBFS1663	Headlamp Switch (3 Gears)	1
18	NP2BD33	3 Gear Switch	1
19	KGJTBE102	Emergency Stop Switch	1
20	KGYSDT011	Key Switch	1
21	LB01	Horn	1
22	LMLJPTZ0108	GB FASTENER NUT SNAB 1 M8	1
23	LSFLWLJGB0825Z	GB FASTENER BOLT HFBB M8×25	1
24	DPPADGB06Z	GB FASTENER WASHER P ENA 6	4
25	LMLJNLSJZ0106	GB Hexagon Type9 M6	4