

# TOMAHAWK

## TBUGGY300e: Snow Plow Assembly Pt.1

www.tomahawk-power.com

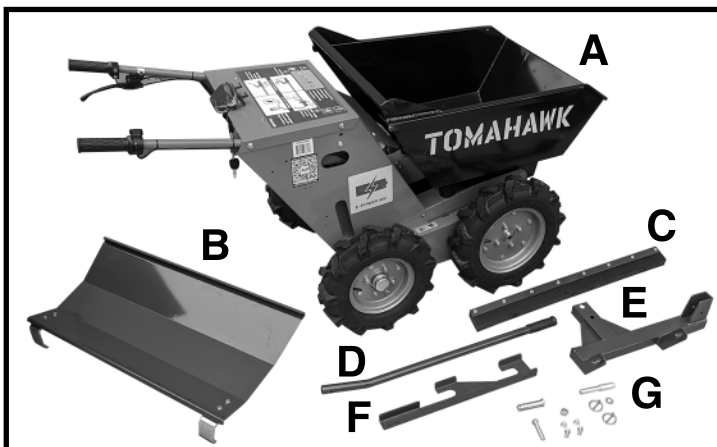
Unleash the relentless power of the Tomahawk Power Buggy Snow Plow, the ultimate winter warrior that obliterates snowdrifts with unrivaled force, leaving behind a perfectly cleared path in its wake. To make the assembly process a breeze, gather the tools you need for each step and thoroughly read the assembly instructions for each step before starting.

### PARTS NEEDED

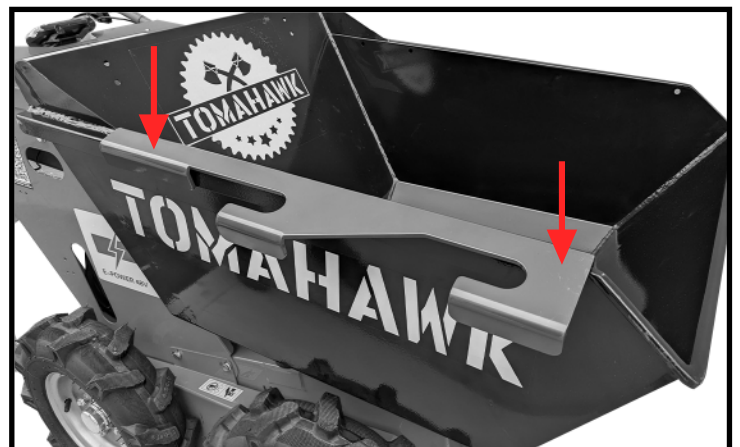
- A: Tomahawk Power Buggy
- B: Snow Plow Blade
- C: Rubber Guard
- D: Plow Handle
- E: Pivot Bar
- F: Handle Rack
- G: Fastener Kit

### TOOLS NEEDED

1. 13mm Socket
2. 13mm Wrench
3. 19mm Wrench
4. Adjustable Wrench
5. Torque Wrench



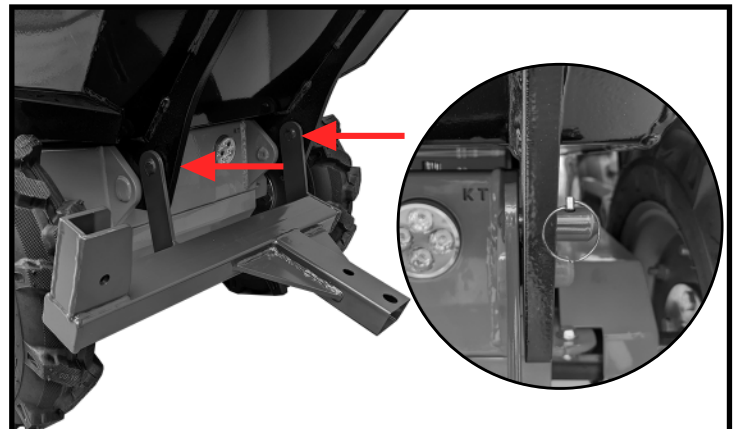
**1** Remove all pieces from the kit



**2** Place the handle rack on the right side of the Tomahawk Power Buggy.



**3** Fasten bolts using a 13mm wrench and 13mm socket with a torque wrench.

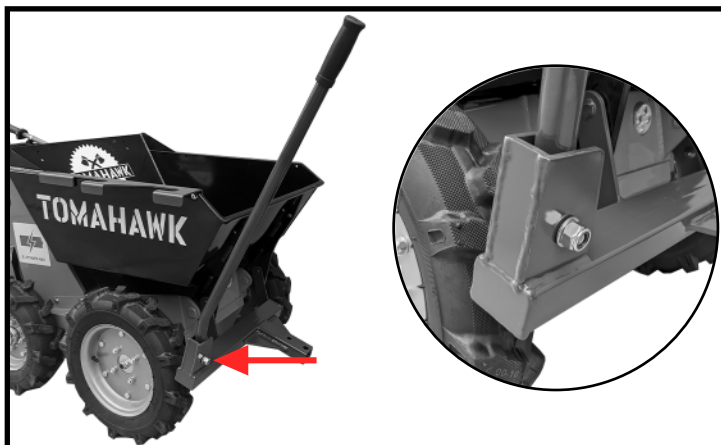


**4** Align the pivot bar with the holes at the base of the bucket. Lock in place with a pin.

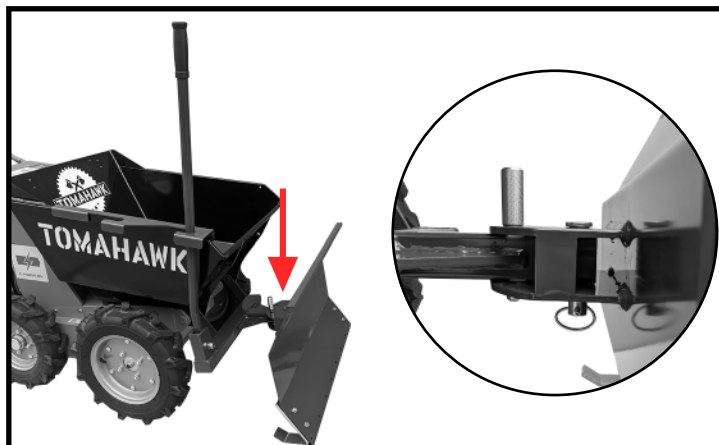
# TOMAHAWK

## TBUGGY300e: Snow Plow Assembly Pt.2

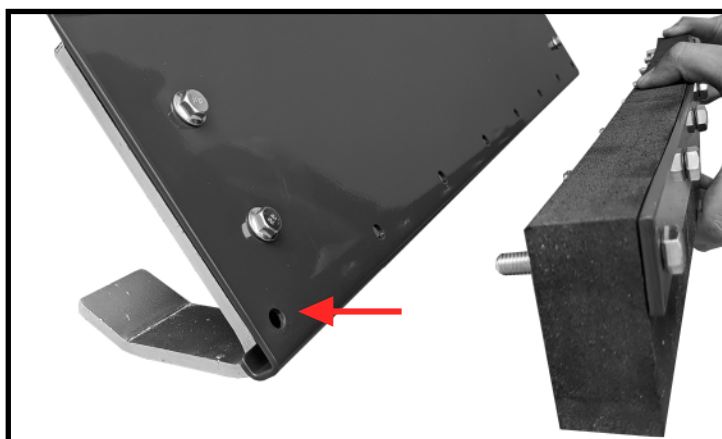
www.tomahawk-power.com



**5** Secure the plow handle in place with the bolt, washer, and nut- tighten with a 19mm wrench and adjustable wrench.



**6** Place the pivot pin in the pivot bar and secure in place with the lynch pin.



**7** Align the rubber guard's bolts to the base of the snow plow. Tighten with a 13mm wrench and 13mm socket.



**8** The snow plow can be raised and lowered using the plow handle.