

# TOMAHAWK

## 6.5 GALLON MOTORIZED CONCRETE SPRAYER

MODEL NUMBER: TCS6.5

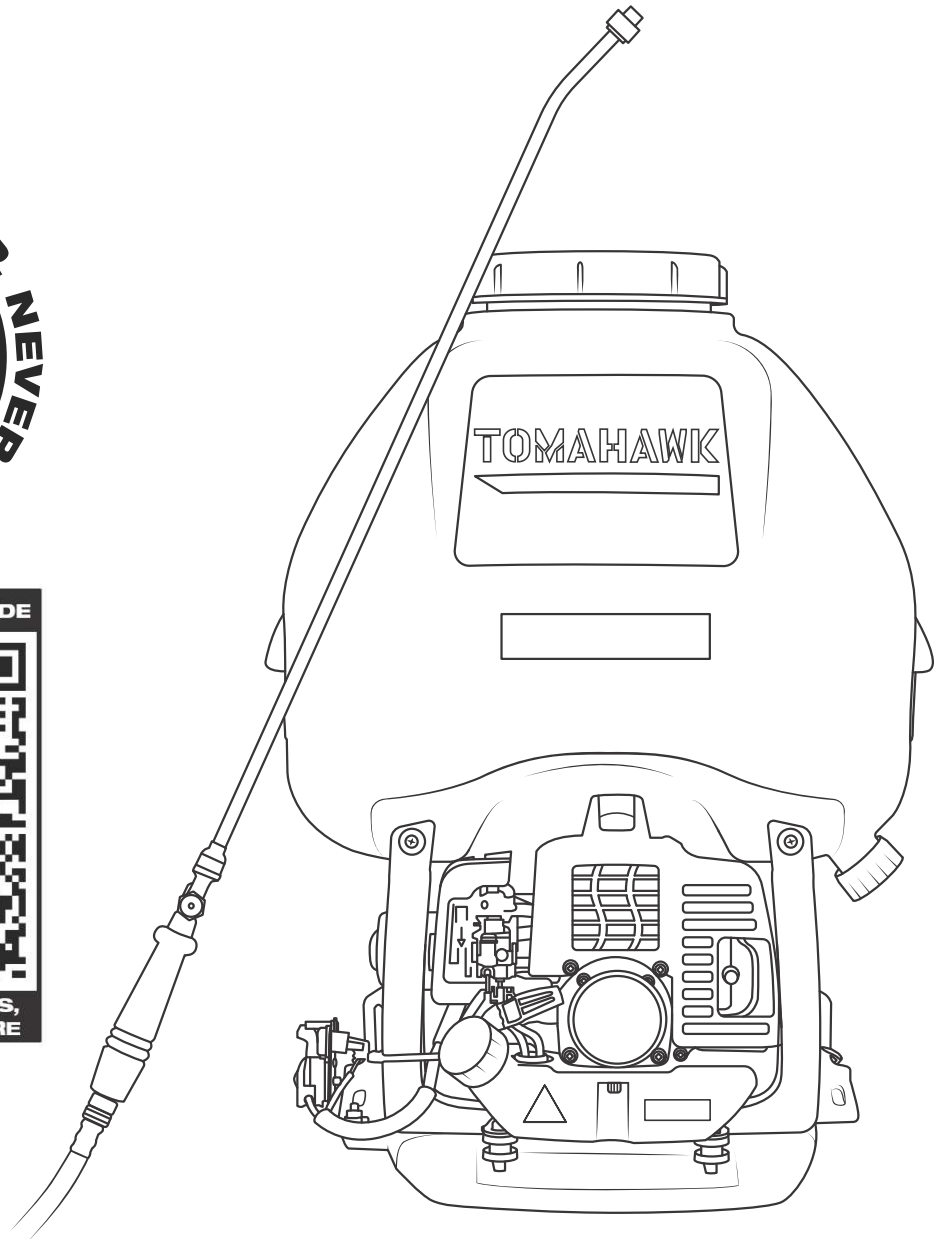
Operation Manual



SCAN FOR ASSEMBLY GUIDE



HOW TO VIDEOS, MANUALS,  
FINISHING GUIDES, & MORE



To reduce the risk of injury, the user must read and understand the Operator's Manual before using this product. Save these instructions for future reference.

# TOMAHAWK

## Table of Contents

<b>1. SAFETY INFORMATION</b>	<b>4</b>
1.1 Operating Safety	5
1.2 Service Safety	5
1.3 Safety While Using Combustion Engines	6
1.4 Service Safety	6
1.5 Chemical Handling	7
<b>2. General Information</b>	<b>7</b>
2.1 Design and Features	7
2.2 TOMAHAWK® Engine	7
2.3 Adjustable Pressure	7
2.4 Spraying Accessories	7
2.5 Specifications	8
<b>3. ASSEMBLY GUIDE</b>	<b>8</b>
<b>4. OPERATION</b>	<b>9</b>
4.1 Start Up Guide	9
4.2 Sprayer Operation	10
4.3 Stopping the Engine	10
<b>5. PUMP QUICK FIX</b>	<b>11</b>
<b>6. REPLACEMENT PARTS</b>	<b>12</b>
<b>7. WARRANTY</b>	<b>12</b>
<b>8. MAINTENANCE</b>	<b>13</b>
<b>9. TROUBLESHOOTING</b>	<b>14</b>
<b>10. TRANSPORTATION &amp; STORAGE</b>	<b>15</b>
<b>11. PARTS MANUAL</b>	<b>16</b>
<b>12. CALIFORNIA EMISSION CONTROL WARRANTY</b>	<b>24</b>

# Register Your Equipment

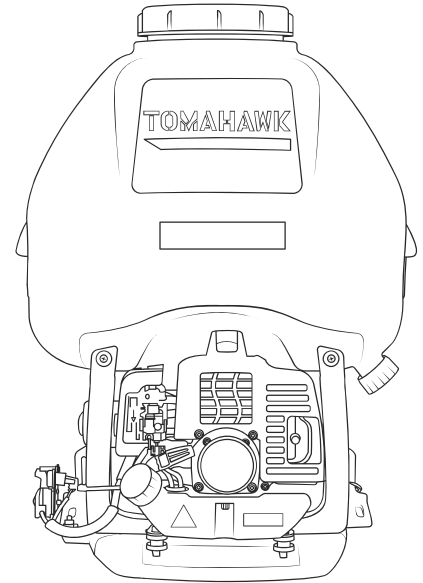
Thank you for purchasing TOMAHAWK® equipment! Your product is covered by the TOMAHAWK® Warranty Policy, but in order to activate your warranty, we need you to register your product. In addition to activating your equipment warranty, product registration will grant you access to important product updates, streamlined customer service, and more.

## INCLUDED WITH YOUR REGISTRATION

- ✓ Equipment Warranty Activation
- ✓ Product Updates
- ✓ Streamlined Customer Service
- ✓ Exclusive Discounts and Sales

## STEPS TO REGISTER YOUR EQUIPMENT

1. Visit [www.tomahawk-power.com](http://www.tomahawk-power.com)
2. Choose “Product Registration” at the bottom of the page
3. Enter your equipment’s serial number to get started
4. Provide all required information
5. Submit Registration



# Equipment Resources

TOMAHAWK® Customer Service doesn't stop at checkout. We understand to keep a job-site running smoothly - the proper equipment, spare parts, instruction manuals, and more are needed at the drop of a hat. Visit [www.tomahawk-power.com](http://www.tomahawk-power.com) to gain access to the incredible resources below.

## How To Video Library

More of a visual person? Visit our Video Library for equipment assembly instructions, troubleshooting tips, and more!

**Found on each product listing or the Service Videos Page**

## Manual and Assembly Guide Library

Visit our Manual Library if you are looking for a lost operations manual or a particular spare part?

**Found on each product listing or the Tomahawk Manuals Page**

## Service Requests

In need of a quick fix or a service center referral? Submit a Service Request and a Tomahawk Technician will respond shortly to get you the help you need.

**Choose “Service Request” at the bottom of [www.tomahawk-power.com](http://www.tomahawk-power.com)**



This manual provides information and procedures to safely operate and maintain this equipment. For your own safety and protection from injury, carefully read, understand and observe the safety instructions described in this manual.

Keep this manual or a copy of it with the equipment. If you lose this manual or need an additional copy, please contact Tomahawk Power LLC or visit [www.tomahawk-power.com](http://www.tomahawk-power.com) This equipment is built with user safety in mind; however, it can present hazards if improperly operated and serviced. Follow operating instructions carefully. If you have questions about operating or servicing this equipment, contact Tomahawk Power.

The information contained in this manual is based on equipment's production at the time of publication. Tomahawk Power reserves the right to change any portion of this information without notice.

No part of this publication may be reproduced in any form or by any means, electronic or mechanical, including photocopying, without express written permission from Tomahawk Power.

Any type of reproduction or distribution not authorized by Tomahawk Power represents an infringement of valid copyrights and will be prosecuted. We expressly reserve the right to make technical modifications, even without due notice, which aim at improving our machines or their safety standards.

## 1. SAFETY INFORMATION

This manual contains DANGER, WARNING, CAUTION, and NOTE call-outs which must be followed to reduce the possibility of personal injury, damage to the equipment, or improper service.



This is the safety alert symbol. It is used to alert you to potential personal injury hazards. Obey all safety messages that follow this symbol to avoid possible injury or death.



**DANGER** indicates an imminently hazardous situation which, if not avoided, will result in death or serious injury.



**WARNING** indicates a potentially hazardous situation which, if not avoided, could result in death or serious injury.



**CAUTION** indicates a potentially hazardous situation which, if not avoided, may result in minor or moderate injury.

**CAUTION:** Used without the safety alert symbol, **CAUTION** indicates a potentially hazardous situation which, if not avoided, may result in property damage.

## 1.1 Laws Pertaining to Spark Arresters

Notice: State Health Safety Codes and Public Resources Codes specify that in certain locations spark arresters be used on internal combustion engines that use hydrocarbon fuels. A spark arrester is a device designed to prevent accidental discharge of sparks or flames from the engine exhaust. Spark arresters are qualified and rated by the United States Forest Service for this purpose.

In order to comply with local laws regarding spark arresters, consult the engine distributor or the local Health and Safety Administrator.

## 1.2 Operating Safety



**WARNING** Familiarity and proper training are required for the safe operation of equipment! Equipment operated improperly or by untrained personnel can be dangerous! Read the operating instructions contained in both this manual and the engine manual and familiarize yourself with the location and proper use of all controls. Inexperienced operators should receive instruction from someone familiar with the equipment before being allowed to operate the machine.

**1.2.1 NEVER** allow anyone to operate this equipment without proper training. People operating this equipment must be familiar with the risks and hazards associated with it.

**1.2.2 NEVER** touch the engine or muffler while the engine is on or immediately after it has been turned off. These areas get hot and may cause burns.

**1.2.3 NEVER** use accessories or attachments that are not recommended by Tomahawk Power. Damage to equipment and injury to the user may result.

**1.2.4 NEVER** leave machine running unattended.

**1.2.5 ALWAYS** be sure operator is familiar with proper safety precautions and operation techniques before using machine.

**1.2.6 ALWAYS** wear ANSI Z87.1-approved safety goggles or safety glasses with side shields, or when needed, a face shield. Use a dust mask in dusty work conditions. Also use non-skid safety shoes, hardhat, gloves, dust collection systems, and hearing protection when appropriate. This applies to all persons in the work area.

**1.2.7 ALWAYS** close fuel valve on engines equipped with one when machine is not being operated.

**1.2.8 ALWAYS** store equipment properly when it is not being used. Equipment should be stored in a clean, dry location out of the reach of children.

**1.2.9 ALWAYS** operate machine with all safety devices and guards in place and in working order. DO NOT modify or remove safety devices. DO NOT operate machine if any safety devices or guards are missing or inoperative.

**1.2.10 ALWAYS** read, understand, and follow procedures in Operator's Manual before attempting to operate equipment.

### 1.3 Safety while using Combustion Engines



**DANGER** Internal combustion engines present special hazards during operation and fueling! Read and follow warning instructions in engine owner's manual and safety guidelines below. Failure to follow warnings and **DANGER** safety guidelines could result in severe injury or death.

**1.3.1 DO NOT** run machine indoors or in an enclosed area such as a deep trenches unless there is adequate ventilation, through such items as exhaust fans or hoses are provided. Gasoline exhaust from the engine contains poisonous carbon monoxide gas; exposure to carbon monoxide can cause loss of consciousness and may lead to death.

**1.3.2 DO NOT** smoke while operating machine.

**1.3.3 DO NOT** smoke when refueling engine.

**1.3.4 DO NOT** refuel hot or running engine.

**1.3.5 DO NOT** refuel engine near open flame.

**1.3.6 DO NOT** spill fuel when refueling engine.

**1.3.7 DO NOT** run engine near open flames.

**1.3.8 ALWAYS** refill fuel tank in well-ventilated area.

**1.3.9 ALWAYS** replace fuel tank cap after refueling.

**1.3.10 ALWAYS** check fuel lines and fuel tank for leaks and cracks before starting engine.

**1.3.11 DO NOT** run machine if fuel leaks are present or fuel lines are loose.

### 1.4 Service Safety



**WARNING** Poorly maintained equipment can become a safety hazard! In order for the equipment to operate safely and properly over a long period of time, periodic maintenance and occasional repairs are necessary.

**1.4.1 DO NOT** attempt to clean or service machine while it is running. Rotating parts can cause severe injury.

**1.4.2 DO NOT** crank a flooded engine with the spark plug removed on gasoline-powered engines. Fuel trapped in the cylinder will squirt out the spark plug opening.

**1.4.3 DO NOT** test for spark on gasoline-powered engines, if engine is flooded or the smell of gasoline is present. A stray spark could ignite fumes.

**1.4.4 DO NOT** use gasoline or other types of fuels or flammable solvents to clean parts, especially in enclosed areas. Fumes from fuels and solvents can become explosive.

**1.4.5 ALWAYS** keep area around muffler free of debris such as leaves, paper, cartons, etc. A hot muffler could ignite them, starting a fire.

**1.4.6 ALWAYS** replace worn or damaged components with spare parts designed and recommended by Tomahawk Power.

**1.4.7 ALWAYS** disconnect spark plug on machines equipped with gasoline engines, before servicing, to avoid accidental start-up.

**1.4.8 ALWAYS** keep machine clean and labels legible. Replace all missing and hard-to-read labels. Labels provide important operating instructions and warn of dangers and hazards.

**1.4.9 ALWAYS** check for damaged parts before each use. Carefully check that the trowel will operate properly and perform its intended function. Replace damaged or worn parts immediately. Never operate the trowel with a damaged part.

## 1.5 Chemical Handling



**FOR USE WITH WATER-BASED OR WATERBORNE COMPOUNDS ONLY. DO NOT USE EQUIPMENT WITH SOLVENT-BASED OR EXPLOSIVE LIQUIDS. FAILURE TO COMPLY MAY CAUSE SERIOUS BODILY HARM OR DEATH. READ ALL CHEMICAL MANUALS BEFORE OPERATION.**

**1.5.1 ALWAYS** wear eye protection when handling chemicals.

**1.5.2 ALWAYS** wear the proper protective equipment/clothing when handling chemicals. Proper protective equipment includes safety goggles or glasses, mask/respirator, and a long-sleeved shirt and long pants.

**1.5.3 ALWAYS** use mask to protect mouth and face from dust and/or pesticide when handling chemicals.

**1.5.4 ALWAYS** after spraying, wash hands and clothing immediately.

## 2. GENERAL INFORMATION

### 2.1 Design and Features

The TOMAHAWK® Motorized Concrete Sprayer is the ideal portable tool for applying most water based concrete curing compounds, retardents, and sealants - achieve superior finishes with consistent even spraying. 10X more efficient than manual pump sprayer, never pump again and maintain constant pressure up to 435 PSI for even spraying with a powerful 1.8HP engine.

### 2.2 TOMAHAWK® Engine

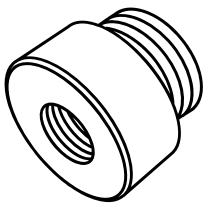
The ultra-lightweight, 2-Stroke, 1.8HP engine efficiently delivers the power and performance that you'd expect from a larger engine – but in a very compact package.

### 2.3 Adjustable Pressure

With a powerful pump, maintain constant, adjustable pressure from 50-435 PSI you will achieve even spraying!

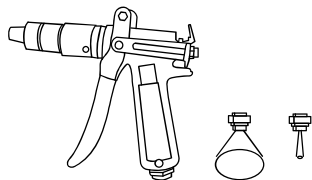
### 2.4 Spraying Accessories

Visit [www.tomahawk-power.com](http://www.tomahawk-power.com) for a wide assortment of attachments and spraying nozzles, including these.



#### Water Tank Adapter

Simply hook up the TOMAHAWK® Motorized Concrete Sprayer to your concrete cut off saw using this exclusive adapter and make cuts anywhere from masonry, concrete, asphalt, rebar, and more!



#### Foundation Gun

Reach up to 30ft - best for spraying further than before. Adjusts from a pressurized jet to a conical pattern. Built with tough brass and stainless steel.

## 2.5 Specifications

Model	TCS6.5
Engine Type	2 Stroke
Engine Power	1.8 HP
Tank Capacity	6.5 Gallon (25 Liters)
Working Pressure	50 - 435 PSI
Flow Rate	2.5 GPM (9.5 LPM)
Fuel Type	50:1 Gasoline / Oil Mixture
Pump Type	Brass Diaphragm
Start Type	Recoil
Fuel Tank	35 oz (1 Liter)
Dimensions	18 x 13 x 25 in (46 x 33 x 64 cm)
Net Weight	26 lbs (11.7kg)

## 3. ASSEMBLY GUIDE

### 3.1 Sprayer Parts

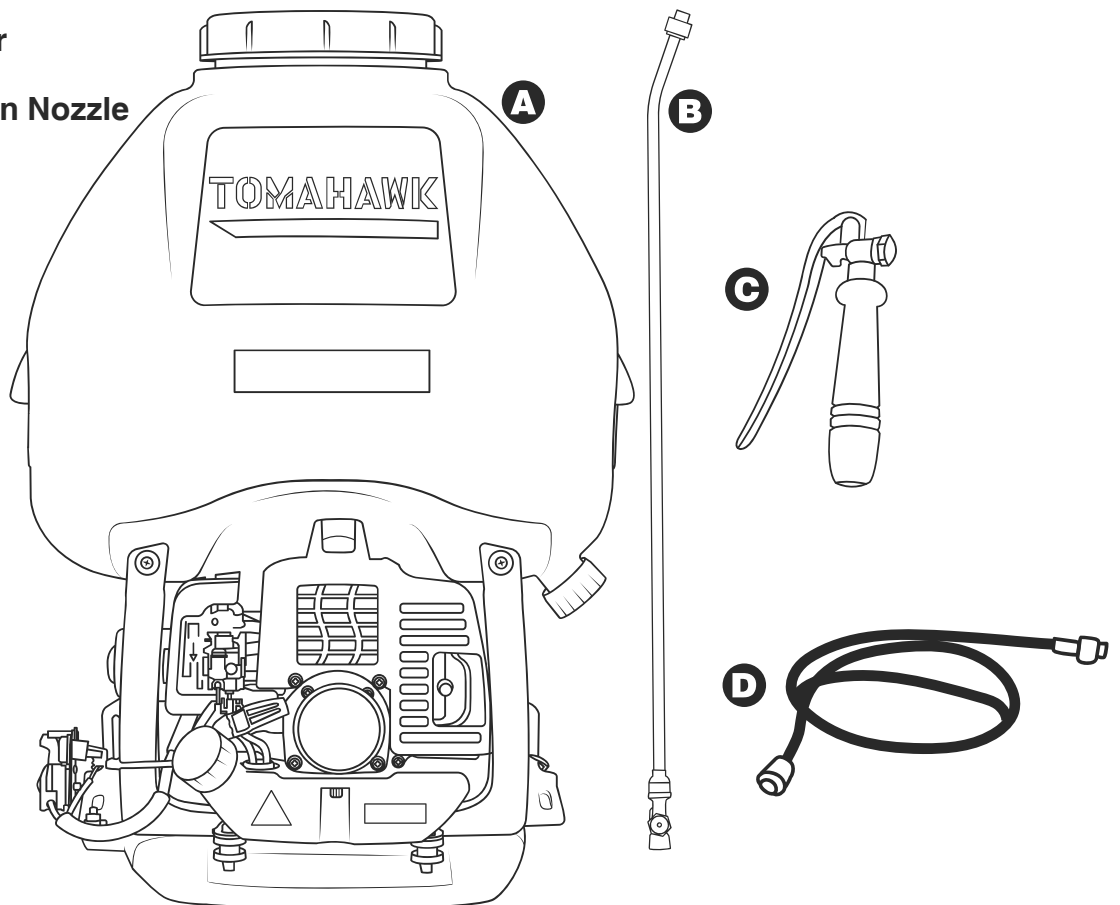
Remove all parts from the packaging. You **will not** need all parts for this set up.

**A** Concrete Sprayer

**B** Brass Wand + Fan Nozzle

**C** Handle Press

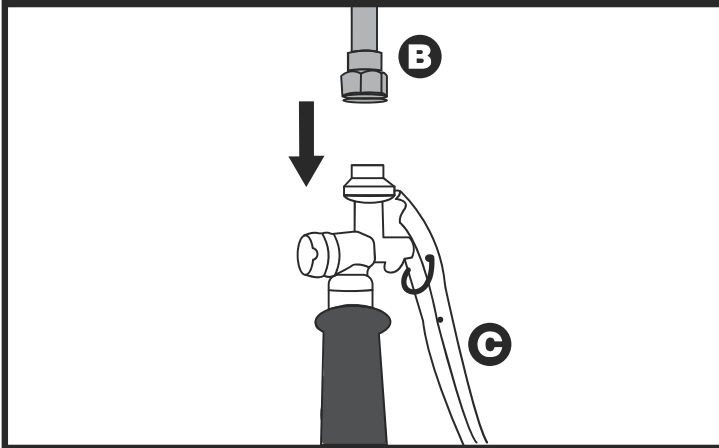
**D** Hose



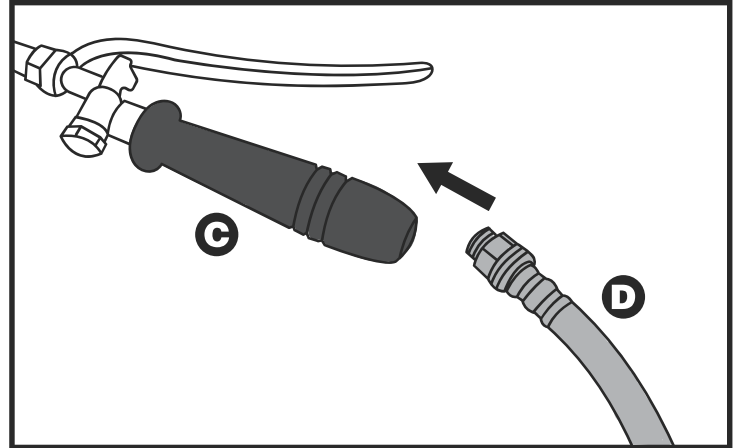
**Additional Parts**  
Backpack Straps  
Tool Kit



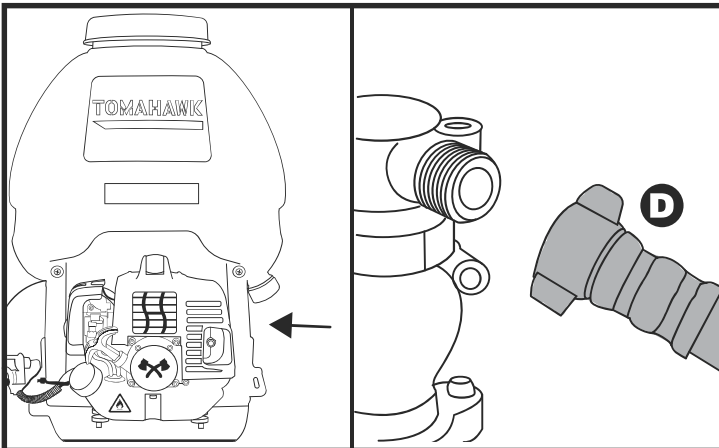
### 3. ASSEMBLY GUIDE CONTINUED



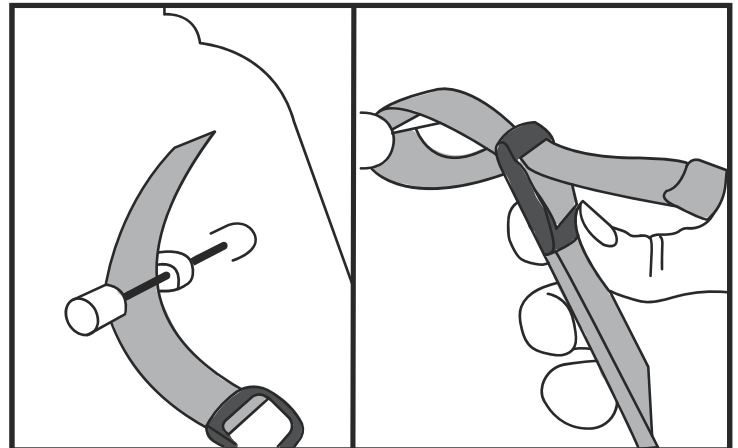
**1** Attach the brass wand (B) to the handle press (C).



**2** Fasten the hose (D) to the backpack sprayer's pump.



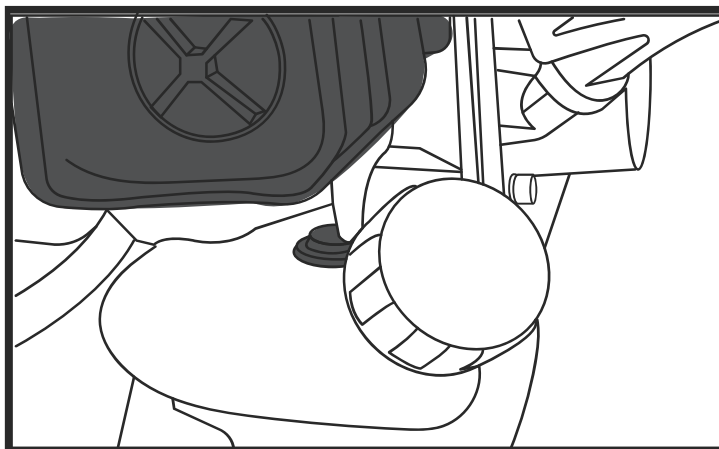
**3** Fasten the hose (D) to the backpack sprayer's pump.



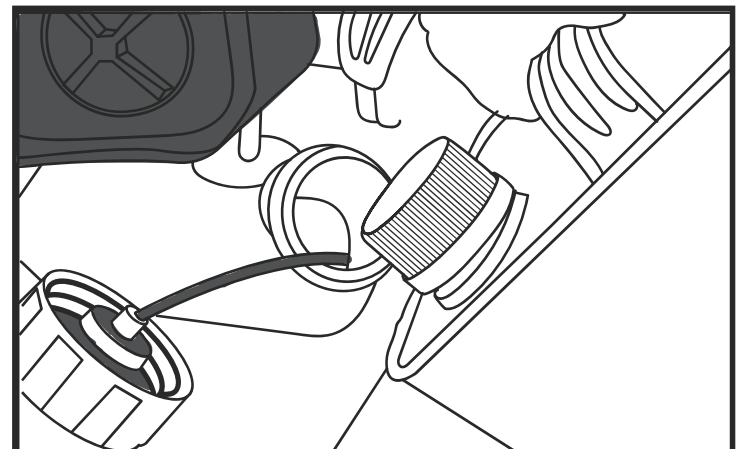
**4** To attach the straps, feed the end through the metal bar and down through the buckle.

### 4. OPERATION

#### 4.1 Start Up Guide

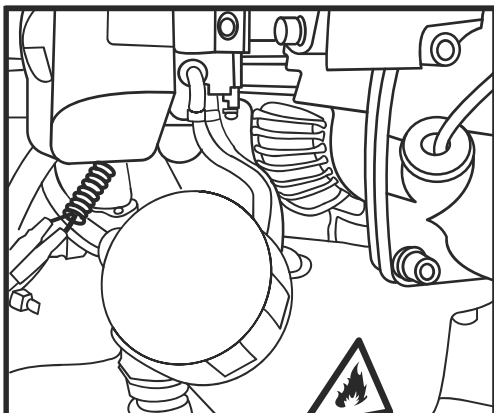


**1** Locate the gas cap, unscrew and fill.

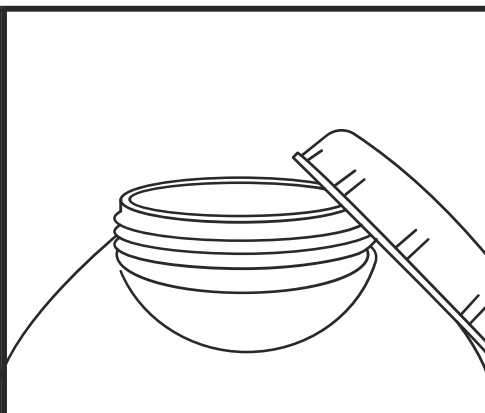


**2** Pour 50:1 Pre Mix 2 Stroke engine fuel into the fuel tank.

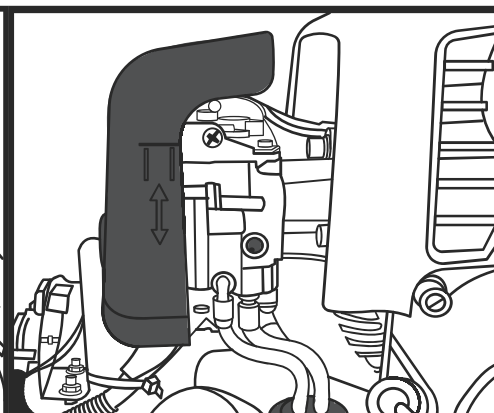
## 4.1 Start Up Guide Continued



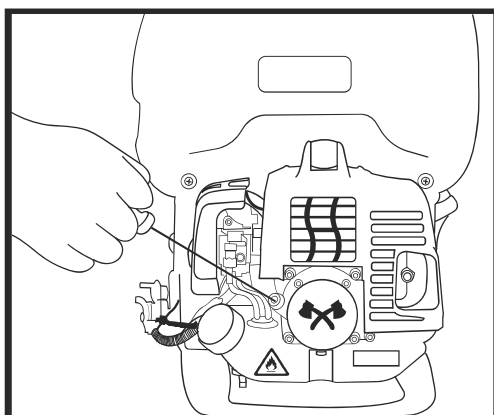
**3** Prime the fuel injection pump 3-5 times.



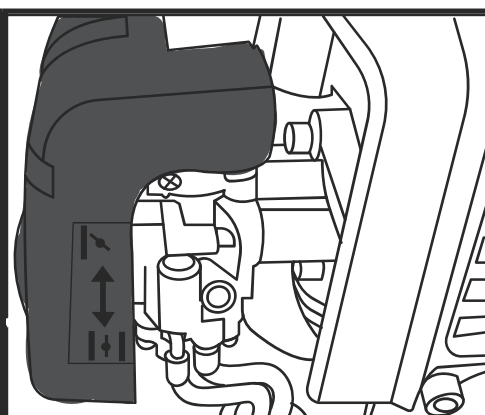
**4** Slowly pour your liquid into the chemical tank.



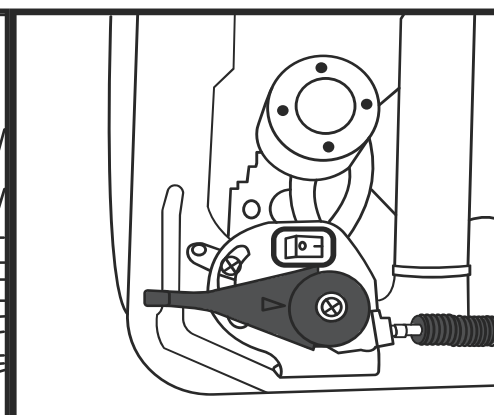
**5** Place the choke down into the closed position .



**6** Pull the recoil starter 1-3 times until the engine starts.



**7** Place the choke up into the open position.



**8** Maintain the engine running on idle for 3-5 minutes before spraying.



Do not allow the recoil starter to snap back against the engine. Return it gently to prevent damage to the starter.

## 4.2 Sprayer Operation

**4.2.1** Attach your desired nozzle or spraying attachment to the hose.

**4.2.2** Start the engine using the guide above.

**4.2.3** Adjust the engine speed using the throttle on the left side of the engine.

## 4.3 Stopping the Engine

**4.3.1** Stop spraying to interrupt the flow of liquid pesticide.

**4.3.2** Move the Throttle Lever up to the idle position.

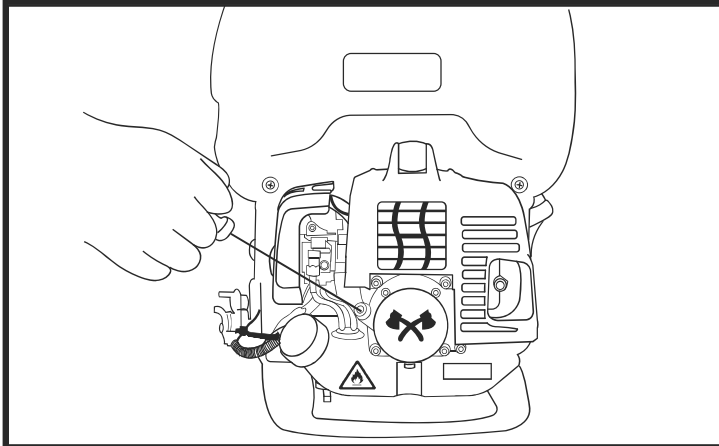
**4.3.3** Press the Red Stop Button located above the throttle handle.

**4.3.4** Move the choke to the closed position.

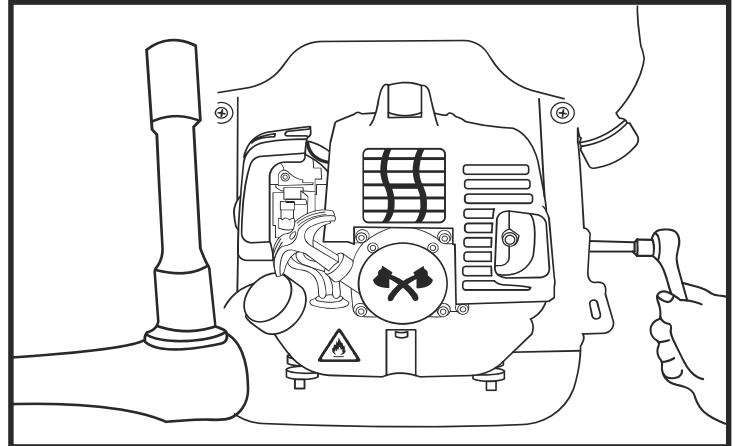
**4.3.5** Remember: Do not run the motor without liquid in the tank, as this can ruin the bearings in the pump which are water cooled.

**Important Tip:** Remember to rinse the tank with 5 gallons of water to remove any chemicals that may crystallize in the pump, hose, and attachments.

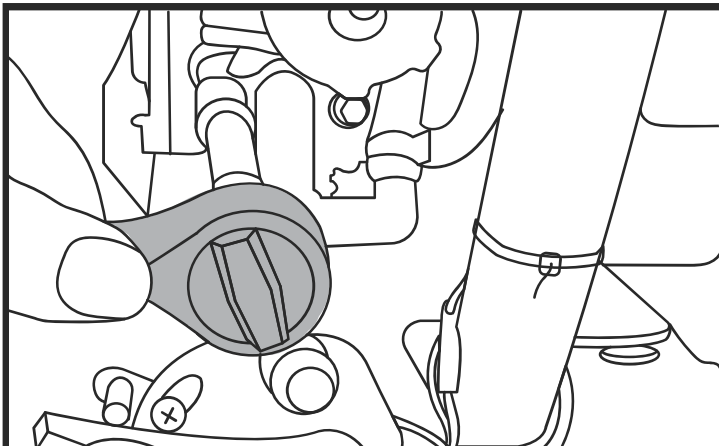
## 5. PUMP QUICK FIX



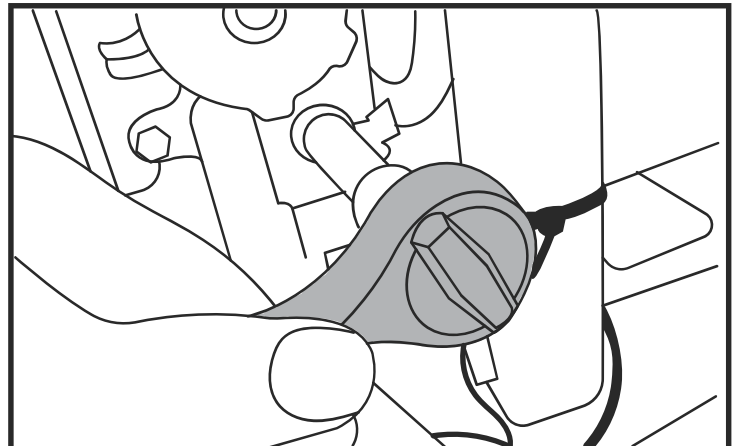
**1** Start the engine and keep it in idle.



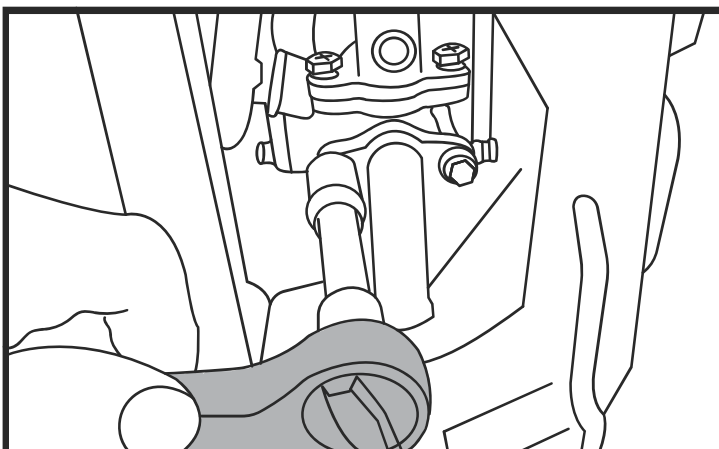
**2** Using a 10mm socket wrench, loosen the 4 bolts on the right & left sides of the pump.



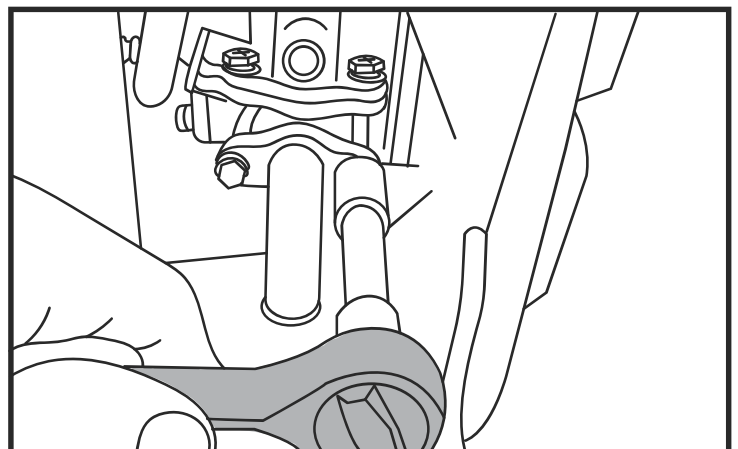
**3** Loosen the left screw on the left side.



**4** Loosen the right screw on the left side.



**5** Loosen the left screw on the right side.



**6** Loosen the left screw on the left side. Look for water begin flowing through the tubes.

## **6. REPLACEMENT PARTS**

**6.1** For replacement parts and technical questions visit [www.tomahawk-power.com](http://www.tomahawk-power.com) or scan the QR code on the front of this manual.

**6.2** Not all equipment components are available for replacement. The illustrations within this manual are a convenient reference to the location and position of parts in the assembly sequence.

**6.3** When ordering parts, the following will be required: equipment model number, serial number/lot, date code, and description. The distributor reserves the right to make design changes and/or improvements to equipment, parts, accessories, and manuals without notice.

## **7. WARRANTY**

Your new TOMAHAWK® equipment is warranted to the original purchaser for a period of one-year (12 months) from the original date of purchase. The TOMAHAWK® warranty is against defects in design, materials and workmanship.

The following are not covered under the warranty:

**7.1** Damage caused by abuse, misuse, dropping or other similar damage caused by or as a result of failure to follow assembly, operation or user maintenance instructions.

**7.2** Alterations, additions or repairs carried out by persons other than TOMAHAWK® or their recognised agents.

**7.3** Transportation or shipment costs to and from TOMAHAWK® or their recognised agents, for repair or assessment against a warranty claim, on any machine.

**7.4** Materials and/or labor costs to renew, repair or replace components due to fair wear and tear.

**7.5** TOMAHAWK® and/or their recognized agents, directors, employees or insurers will not be held liable for consequential or other damages, losses or expenses in connection with or by reason of or the inability to use the machine for any purpose.

### **Warranty Claims**

Before submitting any warranty claim, your new TOMAHAWK® equipment should be registered through [www.tomahawk-power.com](http://www.tomahawk-power.com). Follow the steps on page 3 to complete the equipment registration. After registration is complete, all warranty claims should firstly be directed to TOMAHAWK® through the online Service Request form found at [www.tomahawk-power.com/pages/service-request](http://www.tomahawk-power.com/pages/service-request).

## 8. MAINTENANCE

Maintain the equipment in accordance with the following recommended procedures. Refer to the engine manufacturer's instruction manual for additional information about engine maintenance. The following chart is based on a normal operation schedule.

	<b>DAILY BEFORE/ AFTER STARTING</b>	<b>AFTER FIRST 20 HOURS OR 3 MONTHS</b>	<b>AFTER FIRST 50 HOURS OR 6 MONTHS</b>	<b>AFTER FIRST 100 HOURS OR EVERY YEAR</b>	<b>AFTER FIRST 200 HOURS OR EVERY 2 YEARS</b>
Check the fuel level	●				
Inspect chemical tank & hoses	●				
Inspect the fuel lines	●				
Inspect the air filter and replace if needed	●				
Check and tighten the external hardware	●				
Flush pump and hoses with clean water to clear system.	●				
Clean the air filter			●		
Change the engine oil			●		
Check and clean the spark plug			●		
Clean the fuel strainer				●	
Check and adjust the valve clearance					●
Clean the cylinder head					●
Replace the spark plug					●

## 9. TROUBLESHOOTING

PROBLEM	CAUSE	SOLUTION
<b><i>Fails to Start</i></b>	Failed to push fuel-injecting pump	Push fuel-injecting pump until fuels runs through lines
	Water mixed with fuel	Replace the fuel
	Deterioration of spark plug or carbon build up	Replace the spark plug
	Bad contact between spark plug and lead wire	Check the spark plug
<b><i>It starts but cannot run at high speed</i></b>	The choke is the fully open	Open to full position
	Wrong ratio of fuel	Replace
	Water In Fuel	Replace the fuel
<b><i>It runs but does not work efficiently</i></b>	The air filter is dirty	Check and clean
	Outlet of cylinder and muffler are dirty	Remove the dirt
	Piston, piston ring, and/or cylinder have been worn	Replace
<b><i>Stops while running</i></b>	Fuel is out	Add fuel (50:1 premix)
	The lead wire of the plug is loose	Check and replace
	Spark plug is covered with carbon	Replace the spark plug
	The filter is clogged	Clean
	Water in fuel	Replace fuel (50:1 premix)
	The air vent in the tank lid is clogged	Clean

## 9. TROUBLESHOOTING CONTINUED

PROBLEM	CAUSE	SOLUTION
<i>Liquid does not spray out</i>	Inlet and/or outlet valves are blocked	Replace or Clean
	Washer is damaged	Replace
	Bearing is damaged	Replace
	Piston is damaged	Replace
<i>Low or no pressure spraying</i>	Not enough pressure	Regulate
	Not enough elastic force regulating spring	Replace
	Corrosion resistant steel ball worn	Replace
	Pressure regulating valve worn	Replace
<i>Pressure is fine but spraying is low</i>	Piston is worn	Replace
	Piston running distance is not enough	Replace
	Inlet valve and outlet valve are worn	Replace
	Spraying parts are clogged	Clean
<i>Spraying mist is low</i>	The holes of spraying sheet are worn	Replace
	Spraying parts are clogged	Clean

## 10. TRANSPORTATION & STORAGE

**10.1** Empty the tank of all chemicals and flush the system and hoses with 2 tanks of clean water.

**10.2** Secure the equipment during transportation in order to avoid transport damage.

**10.3** For longer storage periods, drain the fuel tank and run the engine until it stalls to eliminate any remaining fuel in the carburetor. Apply a light coat of oil to the cylinder and spark plug hole.

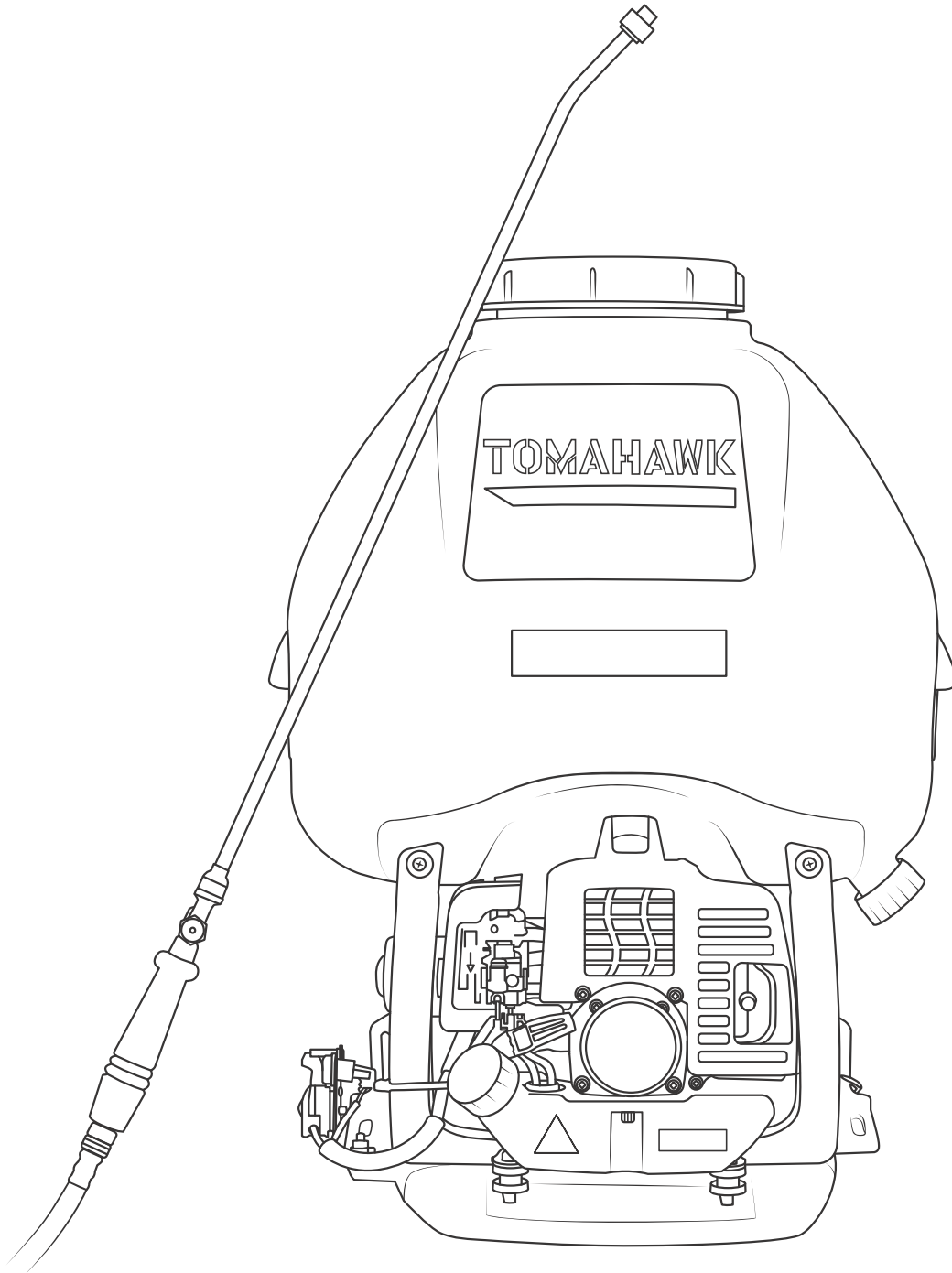
**10.4** ALWAYS Store the equipment upright, in a lockable, dry area - out of reach of children and unauthorized persons.

# TOMAHAWK

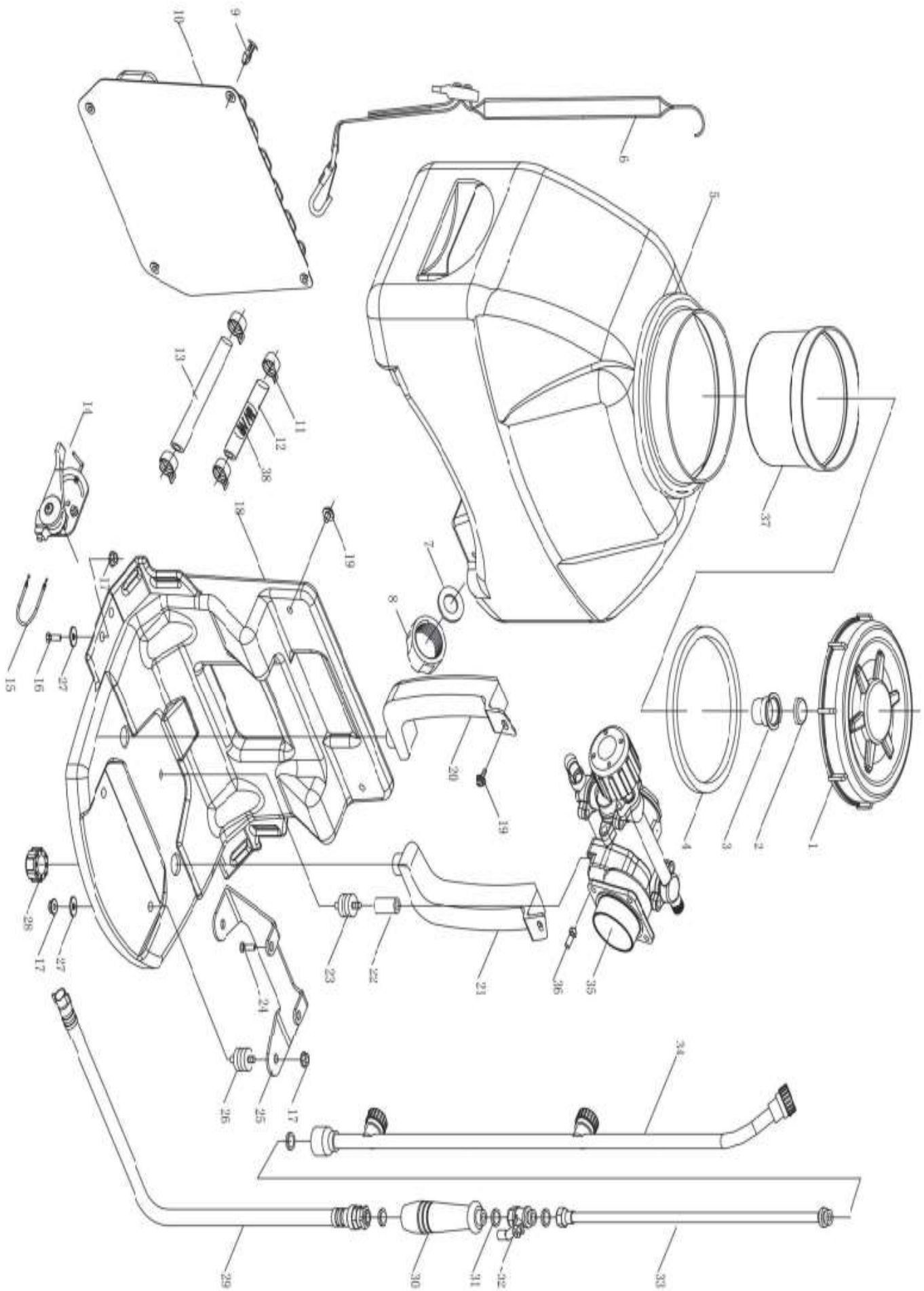
## 6.5 GALLON MOTORIZED CONCRETE SPRAYER

MODEL NUMBER: TCS6.5

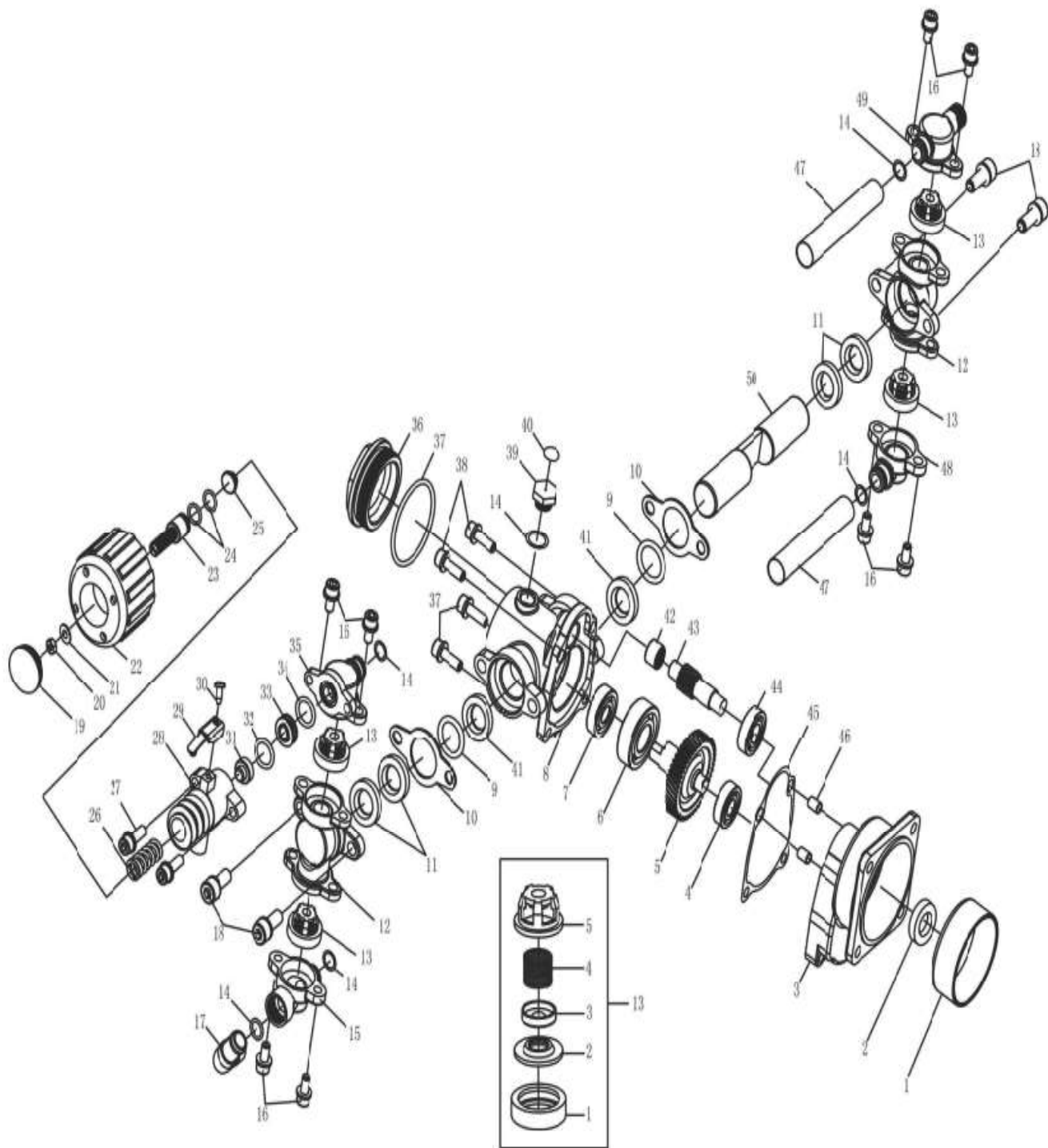
Parts Manual





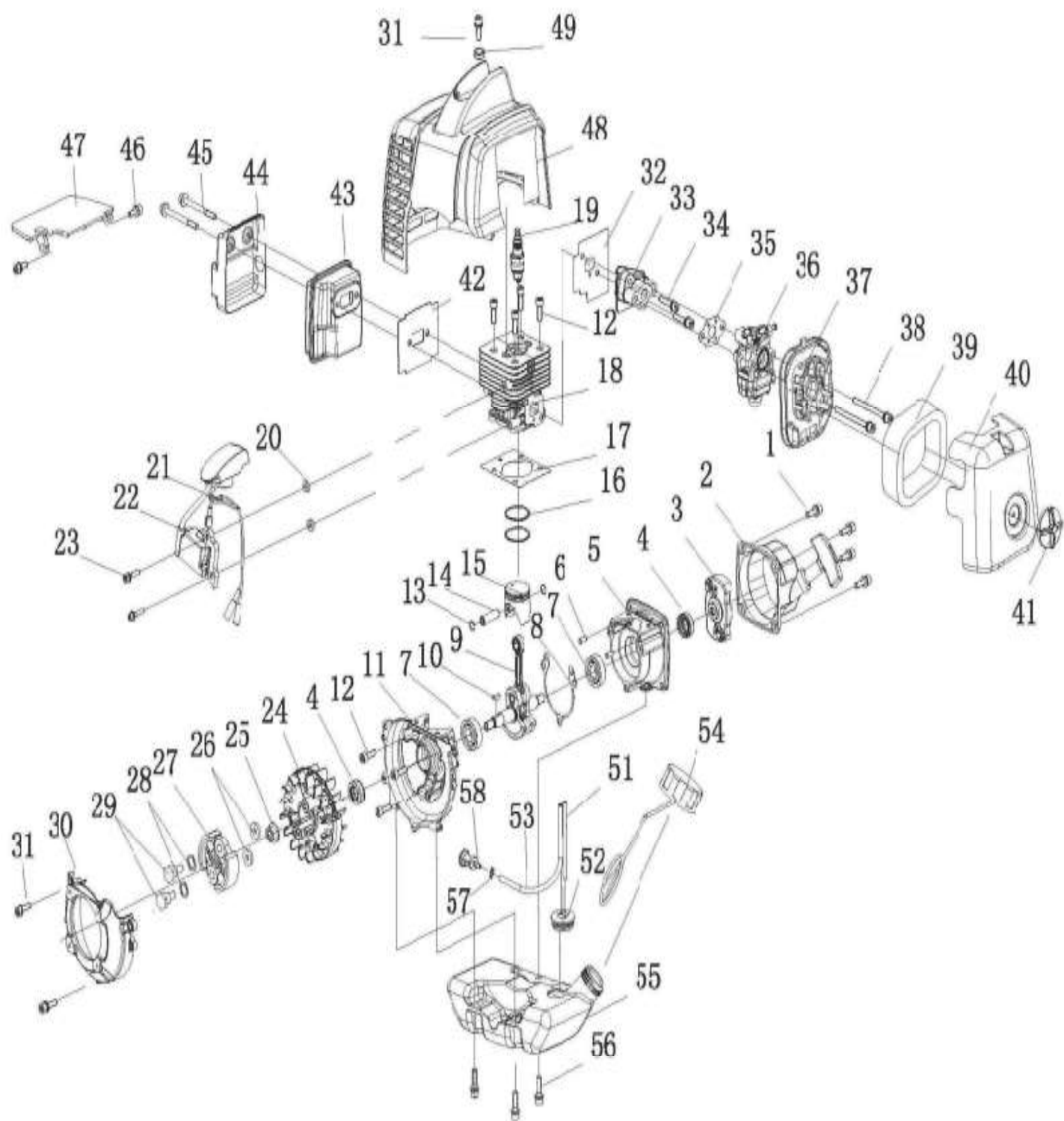


NO.	Part NO.	Part Name	Qty.
1	3WZ-6.5.2-1	LID	1
2	3WZ-4.7.1-3	LID	1
3	3WZ-4.7.1-4	LID	1
4	3WF-8.1-1	SEALING WASHER	1
5	3WZ-6.5.1	CHEMICAL TANK	1
6	3WZ-9.2	BANDS ASSM	2
7	3WF-3A.1-2	SEALING WASHER	1
8	3WZ-6.5-1	LID	1
9	3WF-14-13	PLASTIC CLICK	4
10	3WZ-9.1	BACK DACK ASSM	1
11	QC/T621 Q673B15	CLIP	4
12	GB13527.1LS-10×2.5×140	TUBE	1
13	GB13527.1LS-10×2.5×340	TUBE	1
14	3WZ-9.5	SWITH	1
15	3WZ-4C.3	FREL THROTTLE	1
16	GB/T29.2+GB/T96	SCREW ASSY M6×20	2
17	GB/T6177.1 M6	NUT M6	7
18	3WZ-6-4	FRAME	1
19	GB/T823+GB/T96	SCREW M6×12	4
20	3WZ-6-9	LEFT SUPPORT	1
21	3WZ-6-5	RIGHT SUPPORT	1
22	3WZ-9-1	SUPPORT MOUNT	1
23	3WZ-7B.2B	RUBBER MOUNT	1
24	GB70+GB93+GB97	SCREW ASSEM 5×20	2
25	3WZ-6F-1C	CONNECT PLATE	1
26	3WZ-6.1	RUBBER MOUNT	2
27	GB/T 96	WASHER 6	5
28	3WZ-6-2	PLASTIC NUT	2
29	3WZ-6.6	RUBBER TUBE ASSY	1
30	3WZ-4.11	HANDLE	1
31	3WZ-4-10	SEAL RING	4
32	3WZ-4.12	VALVE	1
33	3WZ-4.13	STAIGHT SPRAYING TUBE	1
34	3WZ-4.14	LONG NOZZLE	1
35	3WZ-7B.5	PISTON PUMP	1
36	GB/T 9074.13	SCREW M6×16	4
37	3WZ-7.2.2	FILTER ASSM	1
38	3WZ-4.7.4-2A	SPRING	1



<b>NO.</b>	<b>Part NO.</b>	<b>Part Name</b>	<b>Qty.</b>
1	3WZ-7B.5-1	CLUTCH DRUM COVER	1
2	1E36F.2	SEAL	1
3	3WZ-7B.5.1-1	CONNECTING BASE	1
4	GB/T276	BEARING 6000/P6	1
5	3WZ-7B.5.1-4	WHEEL	1
6	GB/T276(17x42x12)	BEARING 6203x3	1
7	GB/T276(10x32x9)	BEARING 6200x1	1
8	3WZ-7B.5.1-2	NOUMENON	1
9	GB/T3452.1	O-RING 21.2×1.8	2
10	3WZ-7B.5-6	BAFFLE	2
11	3WZ-7B.5.3-4	WATER SEAL	4
12	3WZ-7B.5.3-3	CYLINDER STATOT	2
13	3WZ-7B.5.2A	CHECK VALVE	4
14	GB/T6659	O-RING 10×2	6
15	3WZ-7B.5.4-1	WATER CHAMBER B	1
16	GB70.1+GB93	SCREW ASSM M6X12	8
17	3WZ-7B.5-5	WATER INLET	1
18	GB70.1+GB93	SCREW ASSM M8X20	4
19	3WZ-7B.5.5-8	HANDLE CAP	1
20	GB6172	NUT M8	1
21	GB97.1	WASHER 8	1
22	3WZ-7B.5.5-1	HANDLE	1
23	3WZ-7B.5.5-3	REGULATING SCREW	1
24	GB/T6659	O-RING 10×1.8	2
25	3WZ-7B.5.5-6	SPRING SEAT 2	1
26	3WZ-7B.5.5-5	SPRING	1
27	GB70.1	SCREW ASSM M6X16	2
28	3WZ-7B.5.5-2	VALVE	1
29	3WZ-7B.5.5.1	BATTER BOARD	1
30	GB845ST4.2X10	SCREW ASSEM	1
31	3WZ-7B.5.5-4	SPRING SEAT 1	1
32	GB3452.1	O-RING 12.5×2.65	1
33	3WZ-7B.5.5-7	VALVE SEAT	1
34	GB3452.1	O-RING 11.8×1.8	1
35	3WZ-7B.5.3-2	DISCHARGE METAL A	1
36	3WZ-7B.5-3	BOX BACK COVER	1
37	GB/T3452.1	O-RING 46.2×2.65	1
38	GB70.1+GB93	SCREW ASSM M6X20	4

<b>NO.</b>	<b>Part NO.</b>	<b>Part Name</b>	<b>Qty.</b>
39	3WZ-7B.5-2A	BOLT	1
40	3WZ-7B.5-7	PASTER	1
41	3WZ-7B.5.1-7	OIL SEAL	2
42	GB/T290 HK1010	BEARING	1
43	3WZ-7B.5.1-3	GEAR SHAFT	1
44	GB/T276	BEARING 6001 P5	1
45	3WZ-7B.5.1-6	SEALING WASHER	1
46	6MF-30.1-14	PIN	2
47	3WZ-7B.5-4	TUBE	2
48	3WZ-7B.5.3-1	WATER CHAMBER A	1
49	3WZ-7B.5.4-2	DISCHARGE METAL B	1
50	3WZ-7B.5.1-5	PLUNGER	1
13-1	3WZ-7B.5.2-1	BALL SEAT	1
13-2	3WZ-7B.5.2-2	VALVE DISK	1
13-3	3WZ-7.5.2-3	VALVE BLOCK	1
13-4	3WZ-7B.5.2-4A	VALVE SPRING	1
13-5	3WZ-7B.5.2-5	VALVE BONNET	1



<b>NO.</b>	<b>Part NO.</b>	<b>Part Name</b>	<b>Qty.</b>
1	GB70.1+GB93+GB97	Screw M5×16	4
2	P23.10A	Starter	1
3	P23.9A	Guide Cover Ass'y	1
4	1E36F.2	Oil seal	2
5	P23.11-2	Crank case R	1
6	GB/T119.1	Pin 4×h8×8	2
7	GB/T276	Bearing 6001/P53	2
8	P23.11-3	Gasket crank case	1
9	P23.6A.1	Crank shaft assy	1
10	1E40FP-3Z.3-1	Key	1
11	P23.11-1	Crank case F	1
12	GB/T70.1	Screw M5×16	7
13	1E34F.6-2	Ring snap	2
14	1E31F.4-2	Piston pin	1
15	P23.6A-1	Piston	1
16	P23.6-2	Ring piston	2
17	P23-2	Gasket cylinder	1
18	P23-1	Cylinder	1
19	CMR6A	Spark plug	1
20	P40-5	Spacer lg coil	2
21	1E40F-5.3.1	Wire lead assy	1
22	HP23.2.1-SZ.2	IG coil	1
23	GB70.1+GB93+GB97	Screw M4×20	2
24	HP23.2.1-SZ.1	Rotor magnet	1
25	GB/T6177	Nut M8	1
26	1E34F-11	Wave washer	2
26A	1E34F.10	Clutch assy	1
27	1E34F-13	Washer	2
28	1E34F-12	Clutch bolt	2
29	HP23-1	Fan Cover	1
30	GB70.1+GB93+GB97	Screw M5×18	3
31	P23-7	Gasket insulator	1
32	P23.3	Insulator	1
33	GB70.1+GB93+GB97	Screw M5×25	2
34	1E36F-2A-1	Gasket carburetor	1
35	1E34F-2E.1A	Carburetor	1
36	1E34F.1.1	Cleaner base assy	1
37	GB70.1+GB97.1	Screw M5×60	2
38	1E34F.1-1	Air filter element	1

<b>NO.</b>	<b>Part NO.</b>	<b>Part Name</b>	<b>Qty.</b>
39	HP23.1-1	Cover Cleaner	1
40	1E34FG.1.1	Knob cover	1
41	1E34F-3	Gasket muffler	1
42	1E34F-2E.2	Muffler	1
43	HP23-5A	Cover	1
44	HP23-8	Screw M5×55-10.9	2
45	GB70.1+GB93+GB97	Screw M5×14	2
46	HP23-2	Clapboard	1
47	HP23.3	Top cover	1
48	1E33F-4	Spacer lg coil	1
49	GB70.1+GB93+GB97	Screw M5×18	1
50	1E44F-E.5.1-2-EPA	Fuel Pipe $\phi 5 \times \phi 2.5 \times 100$	1
51	1E36FF.8.1-1	Plug	1
52	1E44F-E.5.1-1-EPA	Fuel Pipe $\phi 5.5 \times \phi 3 \times 165$	1
53	1E32FL.6.2B	Tank cap assy	1
54	HP23.6.1	Fuel tank	1
55	GB70.1+GB93+GB97	Screw M5×16	3
56	P23.12-1	Snap Rings	1
57	P40.12.2-3A	filter	1



## **12. CALIFORNIA AND FEDERAL EMISSION CONTROL WARRANTY STATEMENT YOUR WARRANTY RIGHTS AND OBLIGATIONS**

The California Air Resources Board, the United States Environmental Protection Agency and Tomahawk Power, LLC are pleased to explain the emissions control system warranty on your 2022-2023 small engine/equipment (SORE). In the United States and California, new small engine/equipment must be designed, built and equipped to meet the State's stringent anti-smog standards. Tomahawk Power, LLC must warrant the emissions control system on your small engine/equipment for the periods of time listed below provided there has been no abuse, neglect or improper maintenance of your small engine/equipment.

Your emission control system may include parts such as the carburetor, fuel-injection system, the ignition system, catalytic convertor, fuel tanks, fuel lines, fuel caps, valves, canisters, filters, vapor hoses, belts, clamps, connectors, and other associated emission-related components. For engines less than or equal to 80 cc, only the fuel tank is subject to the evaporative emission control warranty requirements of this section.

(California Only)

Where a warrantable condition exists, Tomahawk Power, LLC will repair your small off- road engine/equipment at no cost to you including diagnosis, parts and labor.

### **MANUFACTURER'S WARRANTY COVERAGE:**

The emissions control system is warranted for two years. If any emissions-related part on your small engine/equipment is defective, the part will be repaired or replaced by Tomahawk Power, LLC

### **OWNER'S WARRANTY RESPONSIBILITIES:**

As the small engine/equipment owner, you are responsible for the performance of the required maintenance listed in your owner's manual. Tomahawk Power, LLC recommends that you retain all receipts covering maintenance on your small engine/ equipment, but Tomahawk Power, LLC cannot deny warranty solely for the lack of receipts or for your failure to ensure the performance of all scheduled maintenance.

As the small engine/equipment owner, you should however be aware that Tomahawk Power, LLC may deny your warranty coverage if your small engine/equipment or a part has failed due to abuse, neglect, improper maintenance or unapproved modifications.

You are responsible for presenting your small engine/equipment to distribution center or service center authorized by Tomahawk Power, LLC as soon as the problem exists. The warranty repairs should be completed in a reasonable amount of time, not to exceed 30 days.

If you have any questions regarding your warranty rights and responsibilities, you should contact Tomahawk Power, LLC customer service representative at 1-866-577-4476 or Email: support@tomahawk-power.com .

## **DEFECTS WARRANTY REQUIREMENTS**

(a) The warranty period begins on the date the small engine/equipment is delivered to an ultimate purchaser.

(b) General Emissions Warranty Coverage. Tomahawk Power, LLC warrants to the ultimate purchaser and each subsequent owner that the engine/equipment is:

(1) Designed, built, and equipped so as to conform with all applicable regulations adopted by the Air Resources Board; and

(2) Free from defects in materials and workmanship that causes the failure of a warranted part for a period of two years.

(c) Subject to certain conditions and exclusions as stated below, the warranty on emissions related parts is as follows:

(1) Any warranted part that is not scheduled for replacement as required maintenance in your Owner's Manual is warranted for the warranty period stated above. If the part fails during the period of warranty coverage, the part will be repaired or replaced by Tomahawk Power, LLC according to Subsection (4) below. Any such part repaired or replaced under warranty will be warranted for the remainder of the period.

(2) Any warranted part that is scheduled only for regular inspection in your Owner's Manual is warranted for the warranty period stated above. Any such part repaired or replaced under warranty will be warranted for the remaining warranty period.

(3) Any warranted part that is scheduled for replacement as required maintenance in your Owner's Manual is warranted for the period of time before the first scheduled replacement date for that part. If the part fails before the first scheduled replacement, the part will be repaired or replaced by Tomahawk Power, LLC according to Subsection (4) below. Any such part repaired or replaced under warranty will be warranted for the remainder of the period prior to the first scheduled replacement point for the part.

(4) Repair or replacement of any warranted part under the warranty provisions herein must be performed at a warranty station at no charge to the owner.

(5) Notwithstanding the provisions herein, warranty services or repair will be provided at all of our distribution centers that are franchised to service the subject small engine/equipment.

(6) The small engine/equipment owner must not be charged for diagnostic labor that leads to the determination that a warranted part is in fact defective, provided that such diagnostic work is performed at a warranty station.

(7) Tomahawk Power, LLC is liable for damages to other small engine/equipment components proximately caused by a failure under warranty of any warranted part.

(8) Throughout the small engine/equipment warranty period stated above, Tomahawk Power, LLC will maintain a supply of warranted parts sufficient to meet the expected demand for such parts.

(9) Any replacement part may be used in the performance of any warranty maintenance or repairs and must be provided without charge to the owner. Such use will not reduce the warranty obligations of Tomahawk Power, LLC

(10) Add-on or modified parts that are not exempted by the Air Resources Board may not be used. The use of any non-exempted add-on or modified parts by the ultimate purchaser will be grounds for disallowing a warranty claims. Tomahawk Power, LLC will not be liable to warrant failures of warranted parts caused by the use of a non-exempted add-on or modified part.

(11) The manufacturer issuing the warranty shall provide any documents that describe that manufacturer's warranty procedures or policies within five working days of request by the Air Resources Board.

## **EMISSION WARRANTY PARTS LIST**

The repair or replacement of any warranted part otherwise eligible for warranty coverage may be excluded from such warranty coverage if Tomahawk Power, LLC demonstrates that the small engine/equipment has been abused, neglected, or improperly maintained, and that such abuse, neglect, or improper maintenance was the direct cause of the need for repair or replacement of the part. That notwithstanding, any adjustment of a component that has a factory installed, and properly operating, adjustment limiting device is still eligible for warranty coverage. The following emissions warranty parts for each engine family list is covered.

For engine families greater than 80cc:

(1) Fuel Metering System:

- (a) Gasoline carburetor assembly and its internal components
- (b) Carburetor gaskets
- (c) Fuel tank
- (d) Fuel Line
- (e) Fuel Line Fittings
- (f) Clamps
- (g) Pressure regulator (if equipped)
- (h) Mixer assembly and its internal components (if equipped)

(2) Air Induction System including:

- (a) Intake pipe/manifold
- (b) Air cleaner

(3) Ignition System including:

- (a) Spark plug
- (b) Ignition coil



# FAST TRACK YOUR CONCRETE JOB

Master your next concrete job with Tomahawk Concrete Power Screeds! Bundle & Save when choosing blades from 4ft-16ft helping you increase crew speed and jobsite efficiency!



TOMAHAWK

TOMAHAWK



TSB



Item #: TVSA-T, TVSA-H, eTVSA

## VIBRATORY CONCRETE POWER SCREEDS

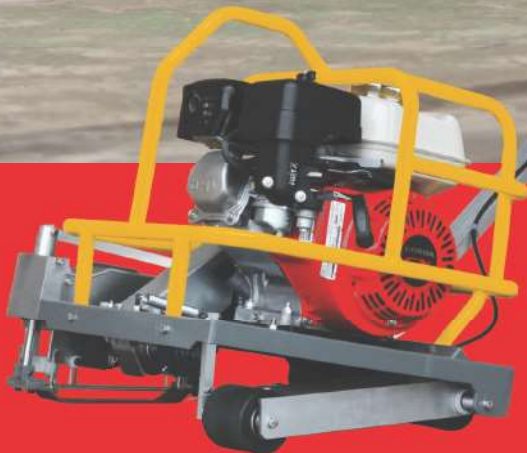
[www.tomahawk-power.com](http://www.tomahawk-power.com)





# CUT CONCRETE FASTER

Tomahawk Green Concrete Saws cut contraction joints up to 1-3/16th inches deep - within the first 1-2 hours of finishing, to control stress cracking for the ultimate concrete results! Powered by the concrete industry's trusted Honda GX Series Engines, maintain clean cuts, while keeping debris out!



**HONDA**  
ENGINES



Item #: TFS6H

**6" EARLY ENTRY  
GREEN CONCRETE SAW**

[www.tomahawk-power.com](http://www.tomahawk-power.com) 



# SEAL THE DEAL WITH THE FINISHING TOUCH

Tomahawk Power Trowels are perfect for projects including driveways, basements, and commercial jobs. Adjust from 0-28° with the trowel's 4 combo, steel blades to achieve a matte, light gloss, or gleaming finish!



Item #: JXPT36K, JXPT46K, TPT36H, TPT46H

**36" AND 46" CONCRETE  
POWER TROWELS**

[www.tomahawk-power.com](http://www.tomahawk-power.com) 

# TOMAHAWK

## PRODUCT CATALOG

### COMPACTION



HONDA  
ENGINES

**3,550 lbs/ft Vibratory Rammer**  
Part#: TR68H

3.6 HP Honda GXR120 Engine  
Easily achieve a 100% compaction rating  
3-in-One Fuel System with carburetor protection  
13" x 11" plate for narrow trenches and corners  
3 Year Engine Warranty & 1 Year Product Warranty



HONDA  
ENGINES

**3,400 lbs/ft Plate Compactor**  
Part#: TPC90H

5.5 HP Honda GX160 Engine  
Easily achieve a 100% compaction rating  
22" x 20" cold, rolled steel beveled base plate  
Includes 3.5 gallon water tank for asphalt compaction  
3 Year Engine Warranty & 1 Year Product Warranty



HONDA  
ENGINES

KOHLER  
ENGINES

**3,000 lbs/ft Plate Compactor**  
Part#: TPC80 & TPC80H

6 HP Kohler CH260 & 5.5 HP Honda GX160 Engines  
Easily achieve a 100% compaction rating  
16.5" x 21.5" plate for narrow trenches and corners  
Optional Honda Engine model: TPC80H  
3 Year Engine Warranty & 1 Year Product Warranty

### FINISHING



**6.5 Gal Backpack Concrete Sprayer**  
Part#: TCS6.5

Maintain constant, adjustable pressure up to 450 PSI  
Achieve superior concrete finishes with even spraying  
Spray 15,000 sq ft in less than 10 minutes  
Compatible with major manufacturer wands  
1 Year Product Warranty



HONDA  
ENGINES

**1.6 HP Vibratory Concrete Screed**  
Part#: TVSA-H

1.6 HP Honda GX35 Engine  
Aluminum Magnesium blades available from 8ft - 14ft  
Finish concrete 4X faster than other screed methods  
360° adjustable handle placement  
3 Year Engine Warranty & 1 Year Product Warranty



HONDA  
ENGINES

**6" Early Entry Green Concrete Saw**  
Part#: TFS6H

5.5 HP Honda GX160 Engine  
Maximum cutting depth of 1 3/16 inches  
OSHA compliant vacuum port for dust collection  
Includes 6" early entry concrete blade  
3 Year Engine Warranty & 1 Year Product Warranty

### FINISHING



HONDA  
ENGINES

**1.6HP Backpack Concrete Vibrator**  
Part#: TVIBH + TVW10-P

1.6 HP Honda GX35 engine  
Consolidation with speeds of 10,000-12,000 VPM  
Quick Connect centrifugal clutch vibrator  
1" and 2" Diameter Whips Available in 10ft Length  
3 Year Engine Warranty & 1 Year Product Warranty



HONDA  
ENGINES

KOHLER  
ENGINES

**36" & 46" Concrete Power Trowel**  
Part#: TPT36H/K & TPT46H/K

6 HP/14HP Kohler & 5.5HP/8.5HP Honda Engines  
Adjust trowel blade pitch from 0-28°  
60-115 RPM rotor speed for superior concrete finishes  
Includes float pan and trowel blades  
3 Year Engine Warranty & 1 Year Product Warranty



HONDA  
ENGINES

**8" Gas Powered Concrete Scarifier**  
Part#: TSCAR8H

5.5 HP Honda GX160 Engine  
Remove traffic lines at 800 - 1,000 linear ft/hr  
Tungsten Carbide Blade Kit Available  
OSHA approved dust port for silica vacuum removal  
3 Year Engine Warranty & 1 Year Product Warranty

HAVE QUESTIONS?

Contact us. *We're here to help!*

Email us at [sales@tomahawk-power.com](mailto:sales@tomahawk-power.com)



## Power Your World

Tomahawk understands to keep a job-site running smoothly the proper equipment and spare parts are needed at the drop of a hat. With same day shipping and faster delivery times, count on Tomahawk to keep you powered throughout the day! With long lasting parts and engines, Tomahawk equipment will be the star of your fleet for years to come. Visit [www.tomahawk-power.com](http://www.tomahawk-power.com) to get started today!

# TOMAHAWK

TOMAHAWK®, LLC  
San Diego, CA

**Sales Support**  
(866) 577-4476  
[sales@tomahawk-power.com](mailto:sales@tomahawk-power.com)

**Equipment Support**  
(866) 577-4476  
[support@tomahawk-power.com](mailto:support@tomahawk-power.com)

[www.tomahawk-power.com](http://www.tomahawk-power.com)



**FACEBOOK**  
[facebook.com/TomahawkPowerUSA](https://facebook.com/TomahawkPowerUSA)

**YOUTUBE**  
[youtube.com/TomahawkPower](https://youtube.com/TomahawkPower)

**INSTAGRAM**  
[@tomahawkpower](https://instagram.com/tomahawkpower)