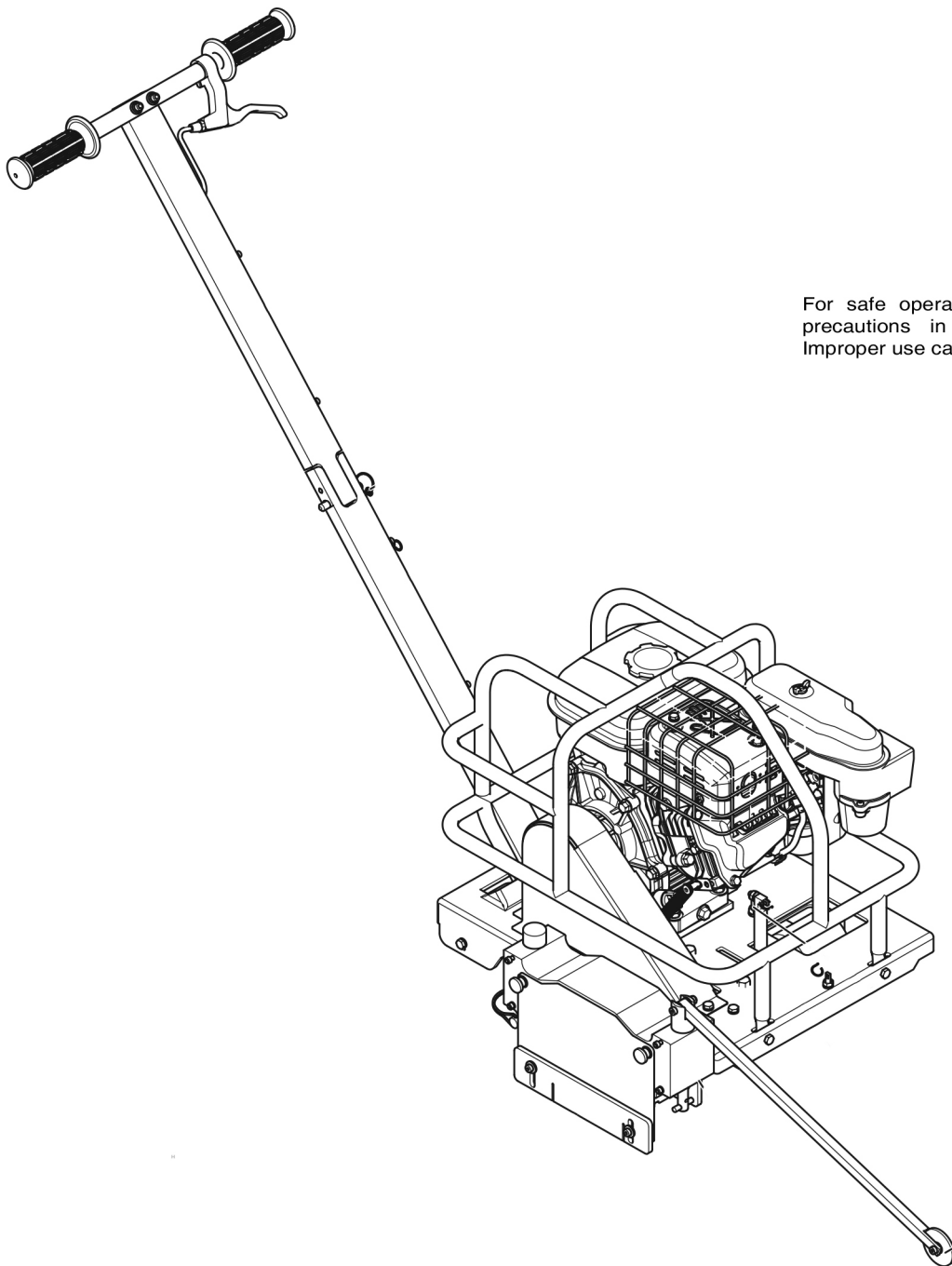


TOMAHAWK

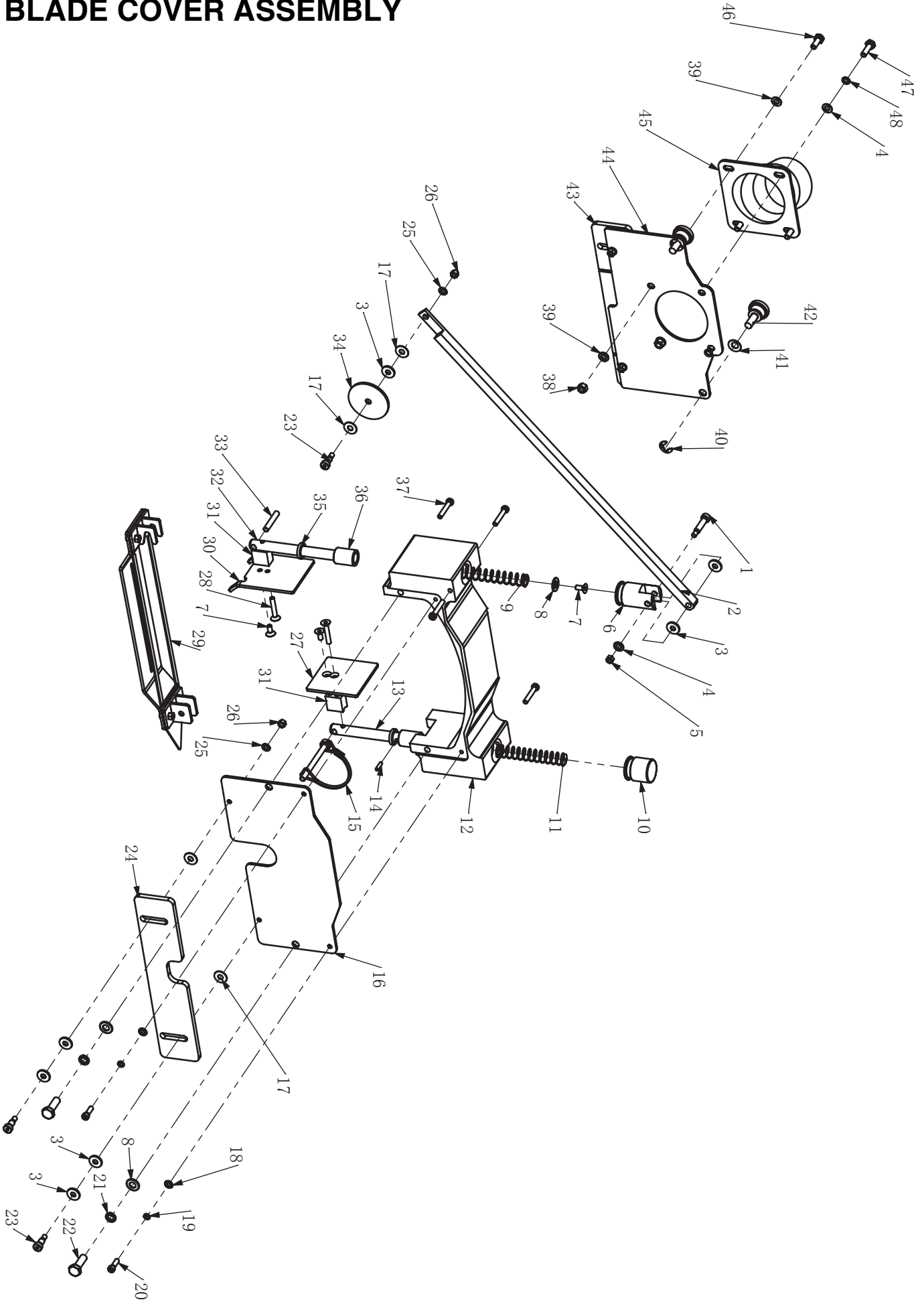
**TFS6H
EARLY ENTRY SAW**

Parts Manual



For safe operation follow all safety precautions in Instruction Manual. Improper use can cause serious injury.

BLADE COVER ASSEMBLY



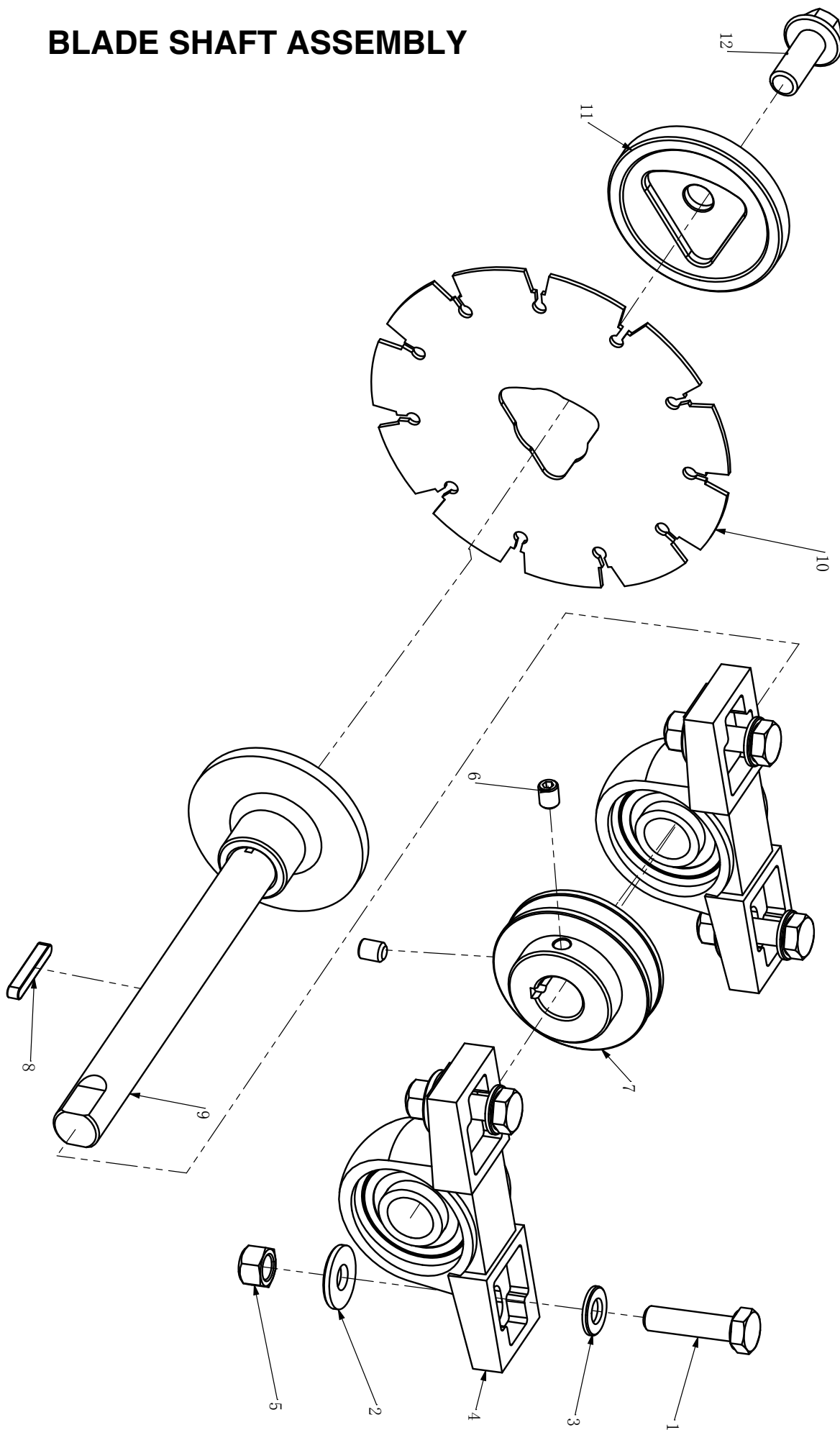
BLADE COVER ASSEMBLY

No.	Description	Drawing No.	Qty
1	Shoulder Screw M5xΦ6x25	16052510	1
2	Pointer	1906-00022-1	1
3	Spacer	1906-00001-4	11
4	Washer M6	11060010	3
5	Lock Nut M5	13050011	1
6	Front Cap, Rod	1906-00021-1	1
7	Allen Screw M5x12	16051221	3
8	Washer M8	11080000	3
9	Spring (Long)	1906-00016-4	1
10	Rare Cap, Rod	1906-00039-1	1
11	Spring (Short)	1906-00035-4	1
12	Blade Cover	1906-00041-2	1
13	Rare Rod	1906-00043-1	1
14	Spring Pin Φ3x14	19031401	1
15	D Pin	1906-00014-4	1
16	Inner Shield	1906-00030-2	1
17	Spacer	1906-00015-4	6
18	Washer M5	11050010	2
19	Spring Washer M5	12050010	2
20	Allen Screw M5x16	16051620	2
21	Spring Washer M8	12080000	2
22	Bolt M8x25	15080250	2
23	Bolt M5xΦ6x10	16051010	5
24	Inner Plastic Shield	1906-00046-4	1
25	Washer M5	11050000	5
26	Lock Nut M5	13050001	5
27	Rare Shield	1906-00045-2	1
28	Allen Screw M5x30	16053021	2
29	Skid	1906-03000-4	1
30	Front Shield	1906-00018-2	1
31	Spacer, Front Shield	1906-00013-2	1
32	Front Rod	1906-00031-1	1
33	Pin Φ6.35x32	1906.353202	1
34	Guide Wheel	1906-00047-4	1
35	Oil Sealing Φ19xΦ12x3	1906-00048-4	2
36	Bushing	1906-00024-1	2
37	Allen Screw M5x30	16053020	5
38	Lock Nut M6	13060001	2
39	Washer M6	11060000	4
40	Circlip Φ8	18080003	2

BLADE COVER ASSEMBLY

No.	Description	Drawing No.	Qty
41	Wave Washer M8x16x0.8	14080001	2
42	Bolt M8x20	16082008	2
43	Outside Plastic Shield	1906-00034-4	1
44	Outside Shield	1906-00040-3	1
45	Vac Port	1906-00051-4	1
46	Bolt M6x16	15060160	2
47	Bolt M6x20	15062011	2
48	Spring Washer M6	12060010	2

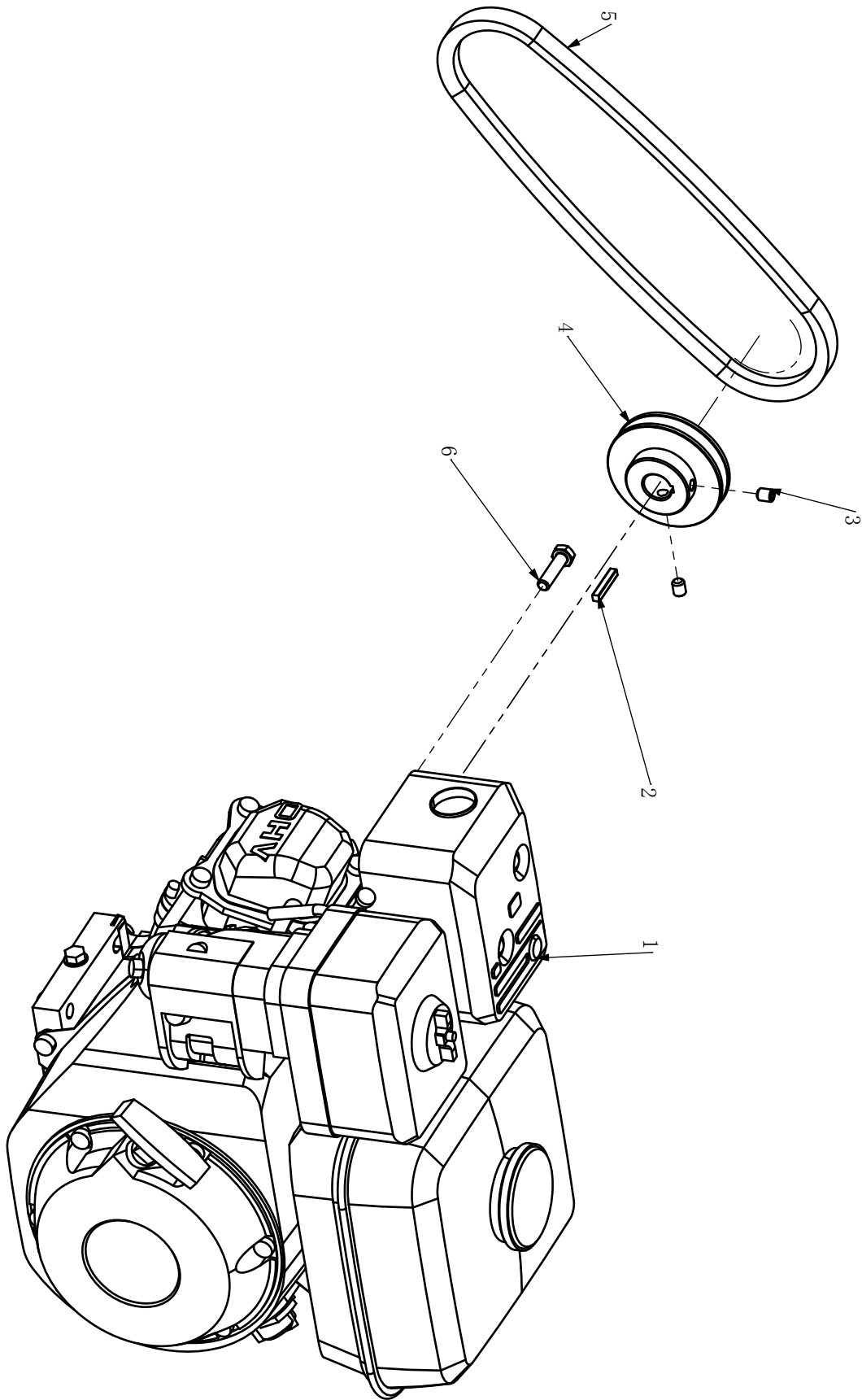
BLADE SHAFT ASSEMBLY



BLADE SHAFT ASSEMBLY

No.	Description	Drawing No.	Qty
1	Bolt M10x40	15100400	4
2	Washer M10x25x3(10x26x3)	11102503	4
3	Washer M10	11100000	4
4	Bearing UCP204	21UCP204	2
5	Lock Nut M10	13100001	4
6	Set Screw M8x10	16081005	2
7	Driven Pulley	1906-00006-4	1
8	Key 5x35	12050535A	1
9	Blade Shaft	1906-04000-3	1
10	Blade 8"	1906-00050-4	1
11	Flange (Outside)	1906-00036-1	1
12	Bolt M12x30	15123002	1

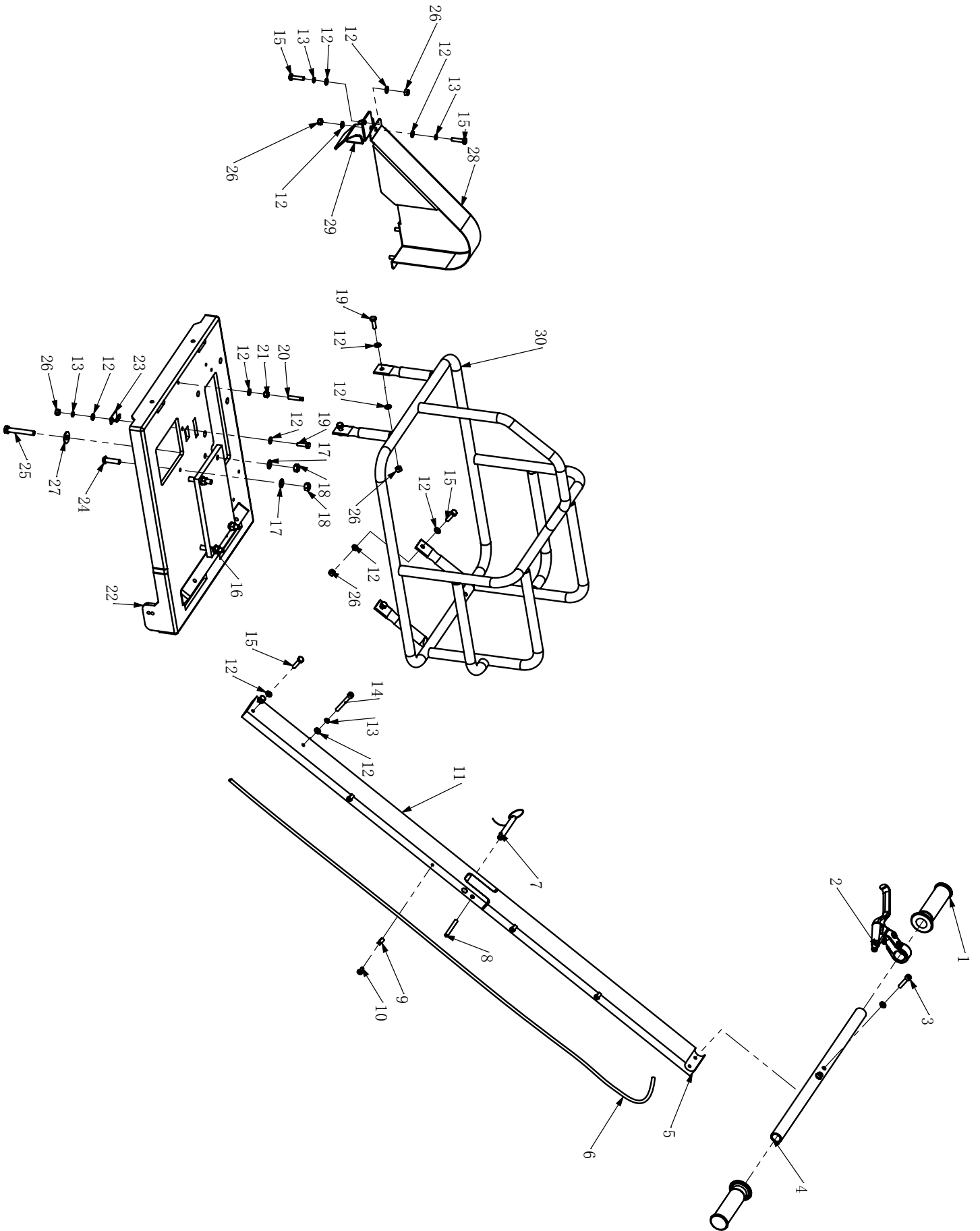
ENGINE ASSEMBLY



ENGINE ASSEMBLY

No.	Description	Drawing No.	Qty
1	Engine	25120002	1
2	Key 4.76x30	204.7630C	1
3	Set Screw M8x10	16081005	2
4	Drive Pulley	1906-00005-4	1
5	Belt	27XPZ7103VX280	1
6	Bolt 5/16-24x1-1/4	15080350Y	1

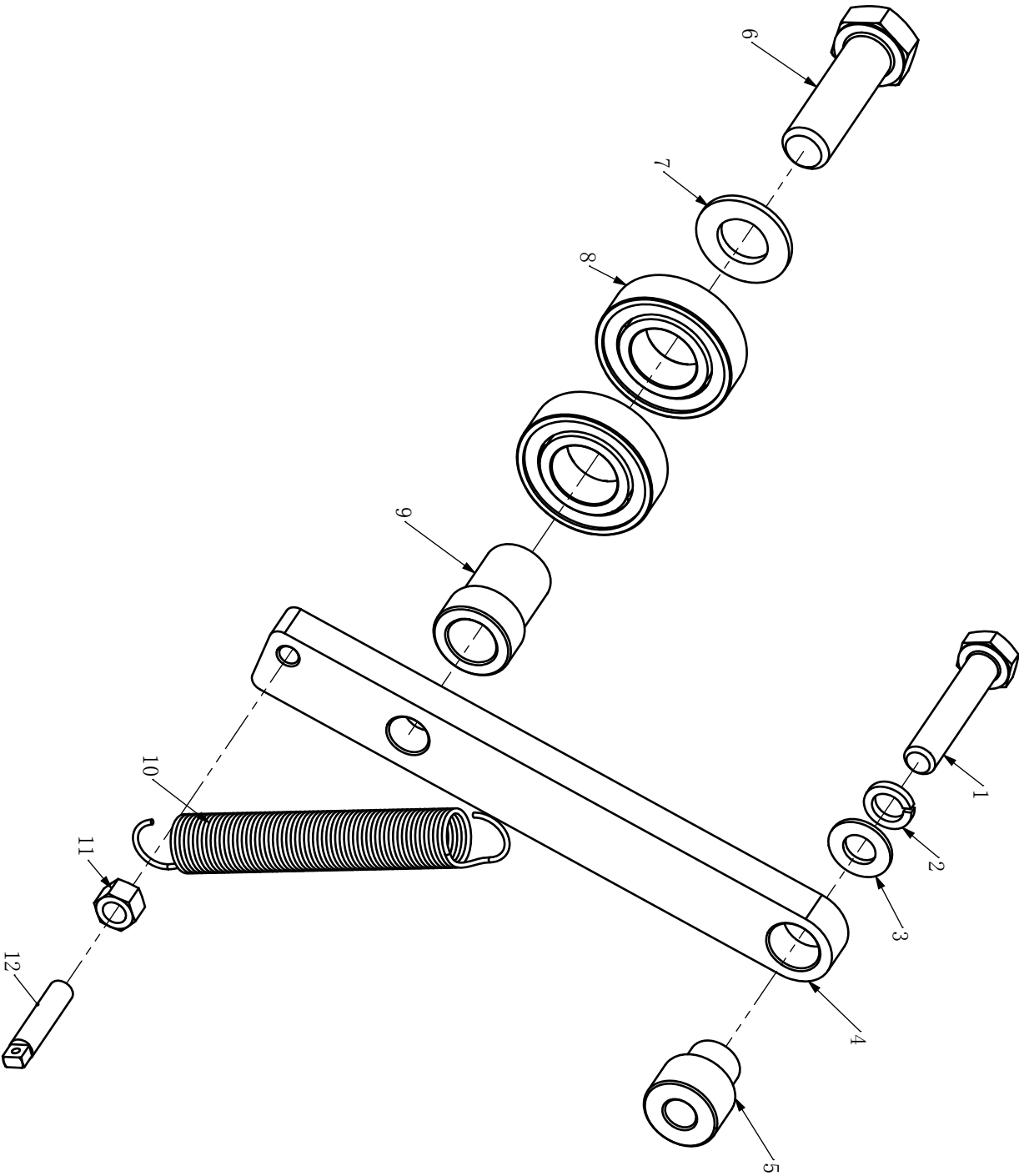
MAIN BODY ASSEMBLY



MAIN BODY ASSEMBLY

No.	Description	Drawing No.	Qty
1	Handle Grip	70220000	2
2	Brake Grip	1906-00011-4	1
3	Allen Screw M6x30	16063020	2
4	Handle Bar	1906-00044-1	1
5	Upper Handle	1906-00038-1	1
6	Wire	1906-00009-4	1
7	Lock Pin	1906-00004-4	1
8	Handle Shaft	0906-00037-1	1
9	Wire Clip	1906-00002-4	4
10	Bolt M5x12	16051201	4
11	Lower Handle	1906-00023-1	1
12	Washer M6	11060010	22
13	Spring Washer M6	12060010	6
14	Allen Screw M6x50	16065020	1
15	Bolt M6x25	15062511	5
16	Rubber Engine Spacer	1906-00010-4	1
17	Washer M8	11080000	5
18	Lock Nut M8	13080001	5
19	Bolt M6x20	15062011	6
20	Bolt M6x30	1906-00003-4	1
21	Nut M6	13060012	1
22	Engine Base	1906-00032-1	1
23	Anchor, Position Bar	1906-00027-2	1
24	Allen Screw M8x30	16083019	1
25	Bolt M8x55	15080550	4
26	Lock Nut M6	13060011	7
27	Washer M8x22x2	11082202	4
28	Belt Cover	1906-00029-2	1
29	Lower Shield	1906-00019-2	1
30	Frame	1906-05000-3	1

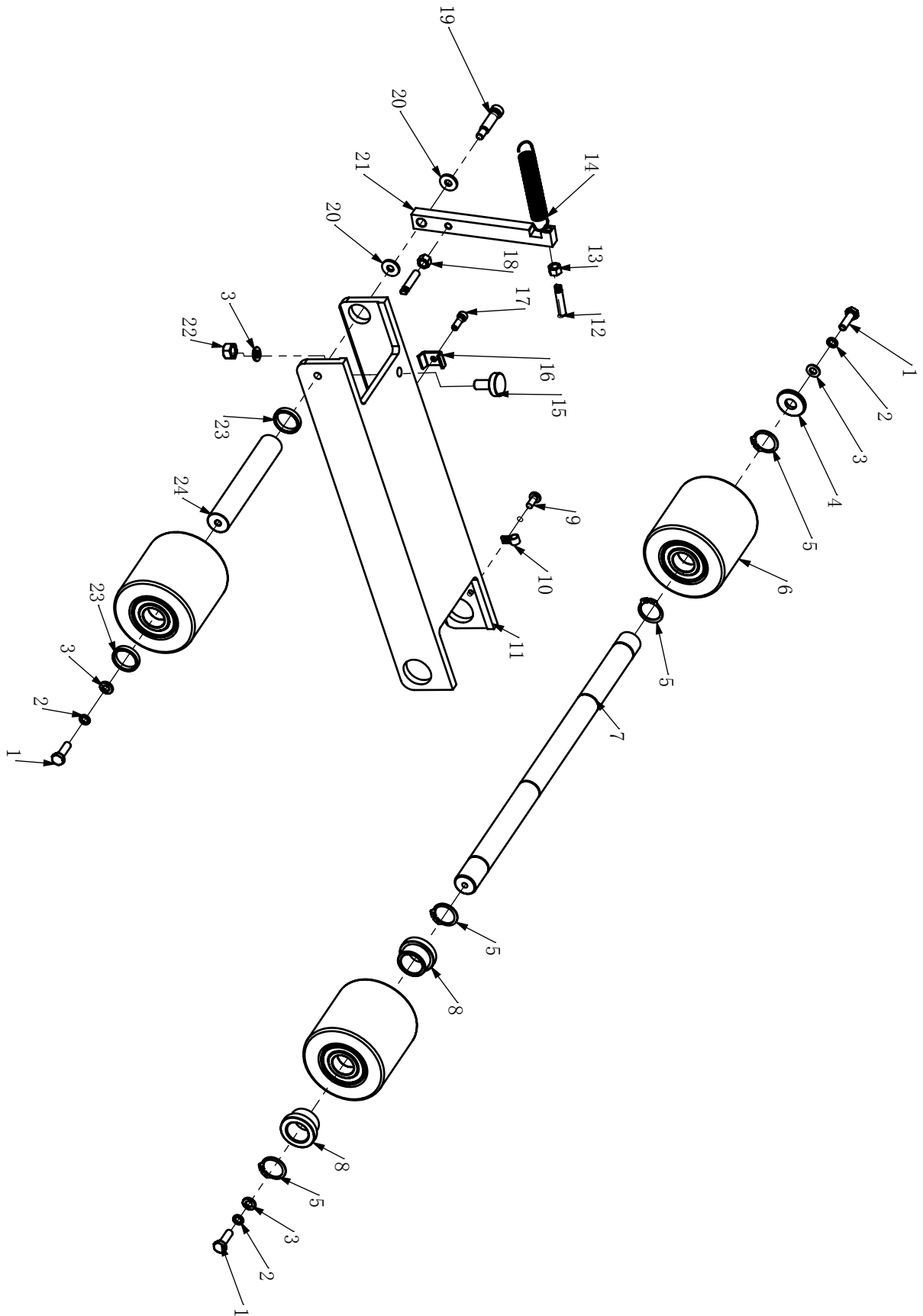
TENSIONER



TENSIONER

No.	Description	Drawing No.	Qty
1	Bolt M8x40	15080400	1
2	Spring Washer M8	12080010	1
3	Washer M8	11080010	1
4	Tensioner Rod	1906-01001-2	1
5	Bushing	1906-01002-1	1
6	Bolt M12x40	15120400	1
7	Washer M12	11120000	1
8	Bearing 6003-2R	216003-2Z	2
9	Bushing	1906-01003-1	1
10	Spring	1906-00008-4	1
11	Nut M6	13060012	1
12	Bolt M6x30	1906-00003-4	1

ADJUSTMENT SYSTEM



ADJUSTMENT SYSTEM

No.	Description	Drawing No.	Qty
1	Bolt M6x20	15062011	3
2	Spring Washer M6	12060010	3
3	Washer M6	11060010	4
4	Washer M10x25x3(10x26x3)	11102503	1
5	Circlip Φ 20	18200001	4
6	Wheel	1906-02000-1	3
7	Rare Shaft	1906-00017-1	1
8	Nylon Bushing	1906-00020-1	2
9	Bolt M5x12	16051201	1
10	Wire Clip	1906-00002-4	1
11	Carriage	1906-00028-1	1
12	Bolt M6x30	1906-00003-4	2
13	Nut M6	13060000	1
14	Spring	1906-00007-4	1
15	Bolt M8x18	16081823	1
16	Wire Clip	1906-00012-2	1
17	Allen Screw M5x16	16051620	1
18	Nut M6	13060012	1
19	Bolt M6x Φ 8x25	16062510	1
20	Spacer	1906-00001-4	2
21	Position Bar	1906-00025-1	1
22	Lock Nut M8	13080001	1
23	Spacer	1906-00026-2	2
24	Front Shaft	1906-00042-1	1