

# TOMAHAWK

TG2000i and TG3000i  
INVERTER GENERATORS

Operations Manual

FIND THE HOW TO GUIDE ON



Thank you very much for choosing this Tomahawk Inverter Generator.

This Manual will instruct you how to operate and use the generator set safely and properly. Please be sure to read it carefully before using.

All technical data and diagrams presented in this User's Manual are consistent with the latest product at the time of publication (January 2020).

The contents of this manual may be slightly different from the specific model. Tomahawk Power is entitled to make revisions at any time, and the revised version will be developed without prior notice. The copyright of this User's Manual belongs to Tomahawk Power and this Manual is not permitted to be reproduced without written consent of Tomahawk Power, violators may be prosecuted.

This Manual is a permanent part of the generator set. If the generator set is resold, the Manual must be resold together with the generator set.

## Table of Contents

Safety Warning .....	1
I. Safety Instructions .....	2
II. Parts and Components .....	3
III. Control Functions .....	5
IV. Before Using the Generator .....	8
V. Starting up the Generator .....	10
VI. Shutting Down the Generator .....	10
VII. Using the Generator .....	11
VIII. Service and Maintenance .....	16
IX. Storage and Transport.....	22
X. Troubleshooting .....	23
XI. Technical Specifications.....	24
XII. Circuit Diagram .....	25
XIII. Generator Warranty .....	26

# Safety Warning

Please read this Safety Warning in the User's Manual and the Safety Warning decals on the generator set carefully.

The Safety Warnings can alert you to potential hazards that could harm you and others. In front of each Safety Warning, there is one of four words "DANGER", "WARNING", "ATTENTION", and "CAREFUL". Details are as follows:


**DANGER** Failure to follow instructions will result in death or serious injury.

**WARNING** Failure to follow instructions will result in death or serious injury.



**CAREFUL** Failure to follow instructions will result in minor injury.

**ATTENTION** Failure to follow instructions will result in the damage to your generator set and other components.

 **WARNING**  
CANCER AND REPRODUCTIVE HARM - [www.P65Warnings.ca.gov](http://www.P65Warnings.ca.gov).

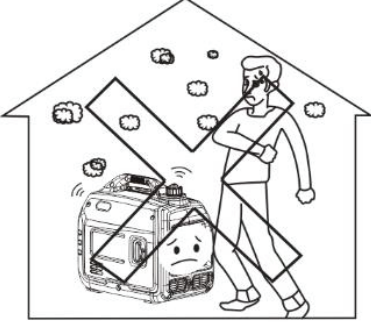
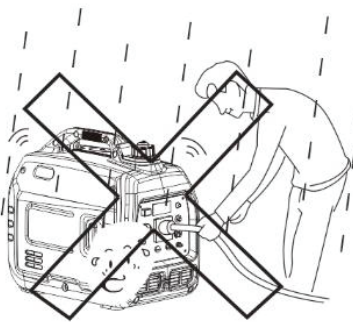
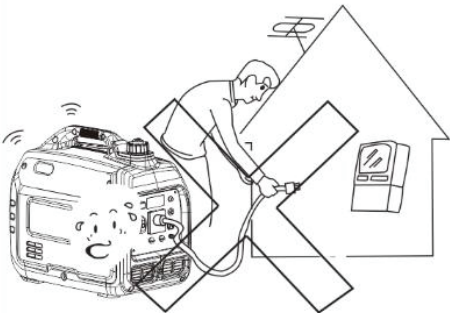



 **DANGER**

**Using a generator indoors CAN KILL YOU IN MINUTES. Generator exhaust contains carbon monoxide. This is a poison you cannot see or smell.**

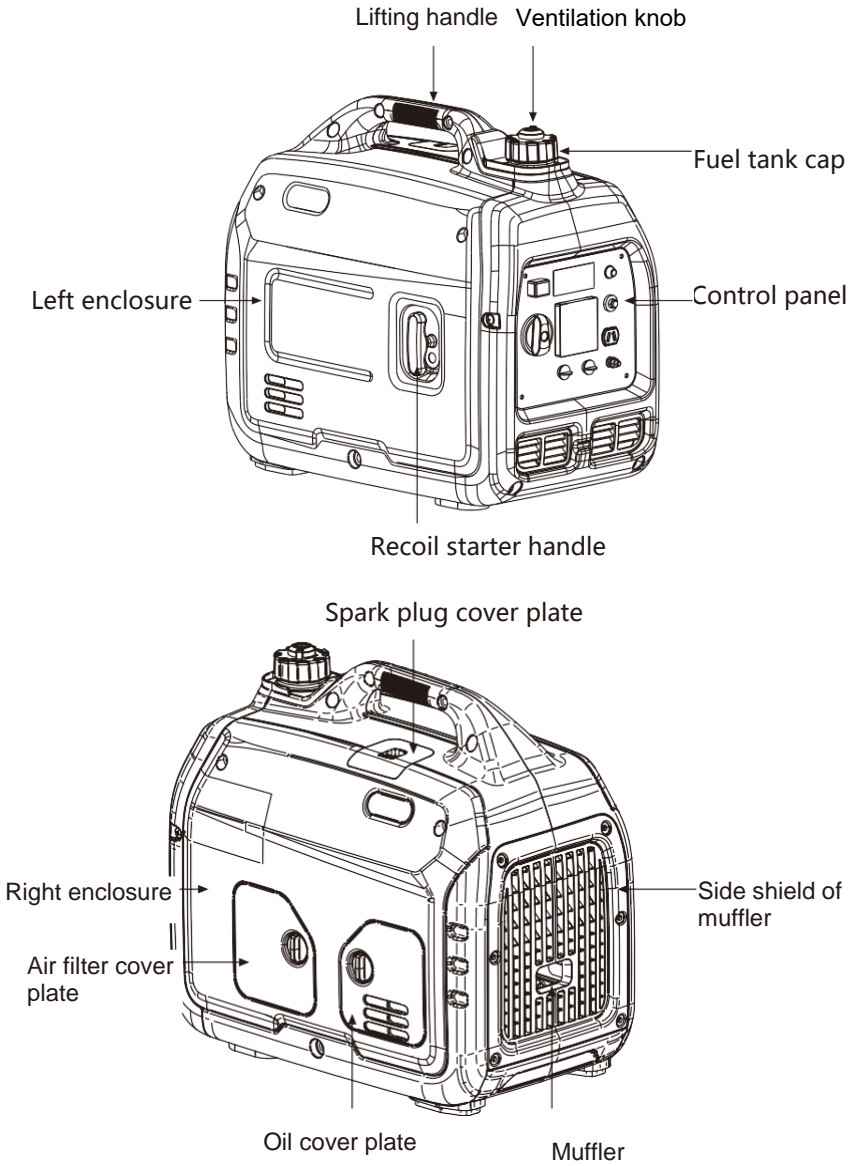
 <b>NEVER use inside a home or garage, EVEN IF doors and windows are open.</b>	 <b>Only use OUTSIDE and far away from windows, doors, and vents.</b>
--	---

# I. Safety Instructions

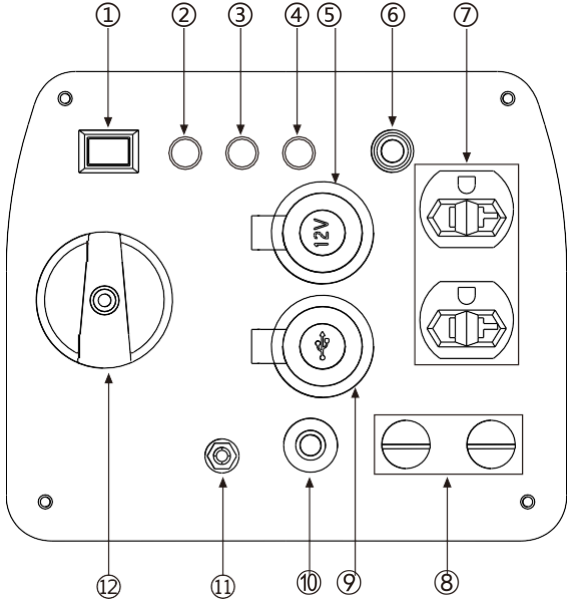
Before operating the generator, read and understand the Manual and familiarize yourself with the safe operation procedures of the generator.

	
<p>Do not use indoors.</p>	<p>Humid environments may effect performance of the generator.</p>
	
<p>Do not connect it to household appliances directly.</p>	<p>Do not smoke when refueling.</p>
	
<p>Do not spill when refueling. Clean up any spills if they are made.</p>	<p>Always shut down generator before refueling.</p>

## II. Parts and Components



# Control Panel



① Idle switch	② Oil alarm indicator	③ Overload indicator
④ AC output indicator	⑤ DC socket	⑥ AC circuit breaker switch
⑦ AC socket	⑧ DC socket	⑨ USB socket
⑩ DC protection	⑪ Grounding terminal	⑫ 3-in-One combination switch (ON, OFF, CHOKE)

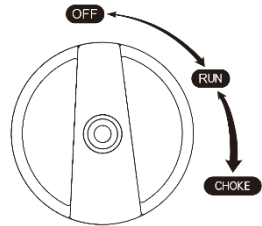
### III. Control Functions

( 1 ) **Three-in-one combination switch (also referred to as combination switch)**

**OFF** - The ignition circuit is OFF and the engine will be unable to run.

**CHOKE** - When performing a cold start, rotate the switch to the CHOKE position and pull the recoil until the engine starts. Be sure to check for proper oil levels.

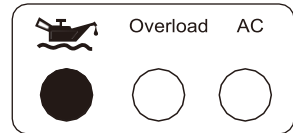
**RUN** - After the engine has started, and been left for 5-10 seconds in the CHOKE position, rotate back to the RUN position for proper function. Do not connect an electrical load to the generator until the unit has warmed up for at least 1 minute in the run position. If the engine is hot, the unit can be started from the RUN position.



**ATTENTION** When the engine is hot, start the generator in the run position.

(2) **Oil indicator (red)**

When the oil in the crankcase drops below the safety line, the oil protection system will automatically shut down the engine, and the oil alarm indicator lights up; the engine can be restarted only after the oil is filled to an adequate oil level.



**Tip:** In case the engine is unable to be started, turn the combination switch to "RUN" position, and then pull startup handle. If oil indicator flashes a few seconds, the oil volume is insufficient, fill oil and restart it.

(3) **Overload indicator (red)**

When the overload indicator lights up, the generator has detected that the output of connected electrical equipment has been overloaded, causing the frequency converter to be overheated or the AC voltage to rise. At this moment, the AC protector will stop, to protect the generator from the



connected electrical equipment. The AC indicator (green) is off and overload indicator (red) lights up, but the engine will not stop running. When overload indicator is on and the generator has no output, please take following counter measures:

- ① Switch off electrical equipment connected, and shut down the generator.
- ② Reduce total power of electrical equipment connected to the range of rated output.
- ③ Check whether there is any foreign matter blocking the air inlet, and whether there is any abnormality in the related control components. If there is any problem, eliminate it immediately.
- ④ After checking, restart the engine.

**Tip:** When using electrical equipment with a high starting current (such as compressors, submersible pump, etc.), the overload indicator may start to light up for a few seconds when started, but this is not due to the failure mentioned earlier. If your equipment has variable speeds step up the equipment to full load slowly.

#### ( 4 ) AC indicator (green)

The AC indicator light should be green when the output is normal.

#### ( 5 ) DC protection

If the current being drawn from the DC outlet is beyond the rated current, the DC switch will automatically switch OFF to protect both the generator and the connected equipment. To allow the current flow back to the DC outlet, press the DC protection back to the ON position.

- 1) "ON" - Normal DC output
- 2) "OFF" - No DC output

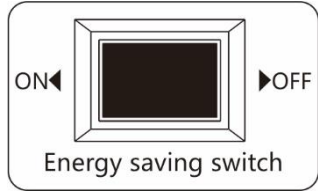


**ATTENTION** If DC protection is in the OFF status, reduce the load of the device connected to the generator. If DC protection is still in the OFF status, stop using the equipment and consult your dealer.

## (6) ECO-MODE switch

### (1) "ON"

When the ECO-MODE switch is switched to the "ON" position, the generator will control the engine's output based on the load, which will lead to more efficient fuel consumption and reduced noise level.



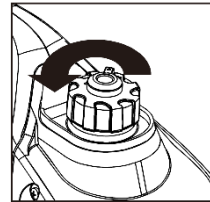
### 2) "OFF"

When the ECO-MODE switch is set to the "OFF" position, the engine will run at the rated speed, regardless of the connected load.

**Tip:** Always run the generator with the ECO-MODE in the OFF position when connecting devices that have a high starting amp requirement, such as air compressors or submersible pumps.

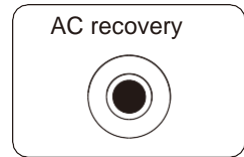
## (7) Fuel tank cap

Remove fuel cap by unscrewing it counterclockwise.



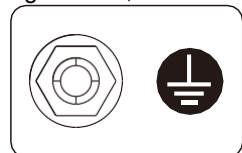
## (8) AC recovery

When the output is overloaded, the generator will protect itself and automatically stop the electrical output. If this occurs, reduce the electrical load and press the AC recovery switch.



## (9) Grounding terminal

The grounding terminal shall be connected to the grounding wire to prevent electric shock. If connected devices are grounded, be sure to also ground the generator.



## IV. Before Using the Generator

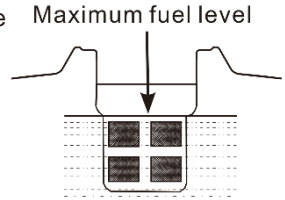
### (1) Fuel

#### **DANGER**

- Fuel is flammable and toxic, please read All Safety Instructions carefully before fueling;
- Do not overfill the fuel tank
- After fueling, confirm that the fuel tank cap has been tightened.

#### **ATTENTION**

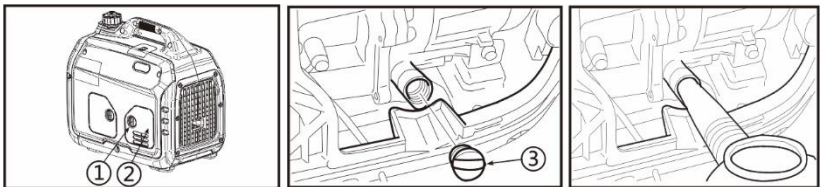
- After refueling, clean off gasoline residue with a clean cloth;
- Unleaded gasoline must be used, as leaded gasoline can cause serious damage to the internal parts of the generator;
- Remove fuel tank cap, and add gasoline up to the red indicating line. Do not fill past this line.
- Fuel tank capacity: 4L or 1 gallon.



### (2) Oil

This generator does not come with oil. Do not start up the generator without filling with sufficient oil. Use SAE 10W-30 oil.

- (3) Place the generator onto a horizontal plane surface;
- (4) Unscrew the knob ① to remove oil cover plate ② ;
- (5) Unscrew oil dipstick ③;



- (6) Fill the tank with 0.35L oil or 11 ounces (SAE 10W/30 oil is recommended, of which the grade is API standard Type SE or higher);
- (7) Reattach oil cover plate and tighten the oil dipstick.

### ( 3 ) Pre-use inspection

#### **WARNING**

Before starting the generator, check the following components. If replacement parts or repairs are needed, contact your local dealer.

**Tip:** Inspect your generator before every use

#### **Pre-operation inspection**

##### **Fuel**

- Check fuel level in fuel tank of the generator, add fuel if necessary.

##### **Oil**

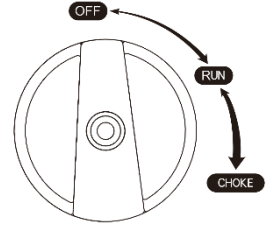
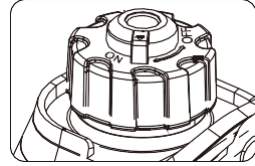
- Check oil level of the generator, add oil if necessary;
- Check whether there is any oil leaking.

#### **Issues when running the generator**

- Check to make sure all breakers and switches are in the correct position.
- Verify the connected devices are not overloading the generator.
- Contact your local dealer if issues persists.

## V. Starting up the Generator

- (1) Disconnect all devices from the generator
- (2) Switch ECO-MODE switch to "OFF"
- (3) Turn ventilation knob of fuel tank cap to "ON"
- (4) Turn combination switch control to the "CHOKE VALVE" position



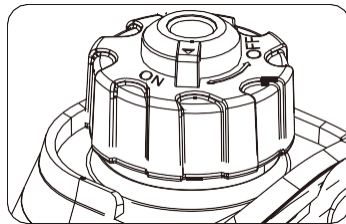
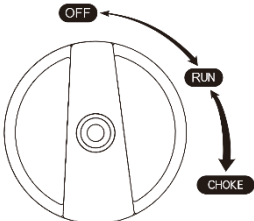
**Tip:** If the engine is hot, start the generator in the "RUN" position

- (5) First gently pull recoil cord handle, until the cable is hooked tight, and then pull with force.
- (6) Once the generator starts, move the combination switch to the "RUN" position.

**Tip:** When pulling the recoil, be sure to keep a tight grip to prevent the unit from falling over.

## VI. Shutting Down the Generator

- (1) Turn the combination switch to the "OFF" position;
- (2) After the generator has completely cooled down, turn the ventilation knob on fuel tank cap to the "OFF" position.



## VII. Using the Generator

- (1) **Proper conditions to run the generator**
- (2) Run in ambient temperature between 25 ~ 100 °F or -5 ~ 40°C;
- (3) Ambient humidity below 95%;
- (4) To ensure proper function of the generator, operate at altitudes up to 1 mile above sea level. If operation is needed at higher altitudes, a carburetor adjustment may be needed.

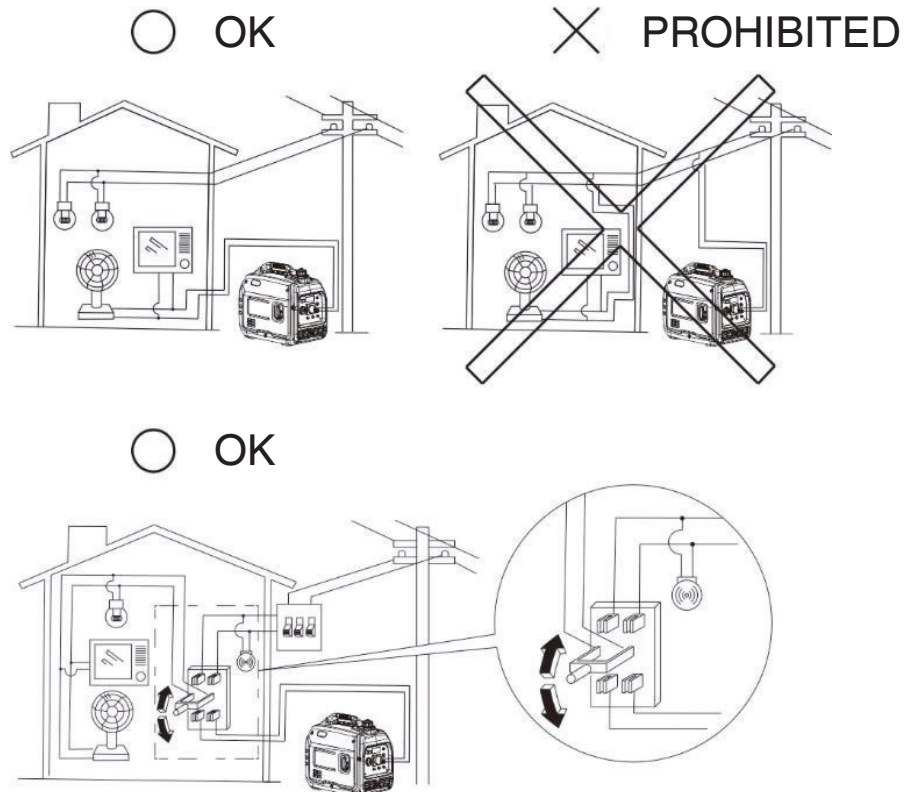
### **Standard atmospheric condition**

- Ambient temperature  $T_r$ : 298k (77°F or 25°C)
- Relative air humidity  $\Phi_r$ : 30%
- Absolute atmospheric pressure  $P_r$ : 100kPa
- Every 30% of increase in relative humidity of air will reduce the power of generator by about 1.5%
- Every 300 m rising of ASL will reduce the power the generator by about 4.5%

### **( 2 ) Generator wiring**

- When the generator is connected to a household power source as a backup power supply, must be connected by a professional electrician.
- After connecting the load to the generator, carefully check whether the electrical connection is safe and reliable. An improper electrical connection may cause generator damage or fire.
- Avoid connecting this generator to commercial power outlets.

- Extension cables must be protected by a layer of tough, elastic rubber (IEC25) or other substitutes



### Connection of AC power

**WARNING** All electrical equipment must be disconnected before inserting the plug.

### ATTENTION

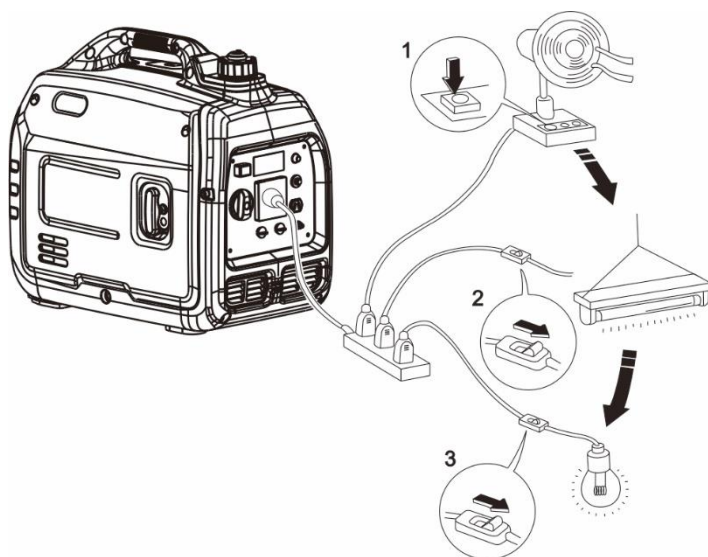
- Make sure that all electrical equipment, including wires and plugs, are in good condition before connecting to the generator;
- Make sure that all loads driven by the generator are within rated load range;
- Make sure that the load current is within rated current range of the rated socket.

**Tip:** Make sure that the generator set is grounded, and if the electrical equipment requires grounding, the generator set must be grounded.

- ① Start up the engine;

- ② Turn ECO-MODE switch to "ON";
- ③ Insert the plug into an AC outlet;
- ④ Make sure that the AC indicator is lit up;
- ⑤ Switch on the electrical equipment.

**Tip:** Before increasing engine speed, the ECO-MODE switch must be switched to "OFF". If the generator set supplies power to multiple loads or electrical equipment, start from large to small according to the output of each electrical device.



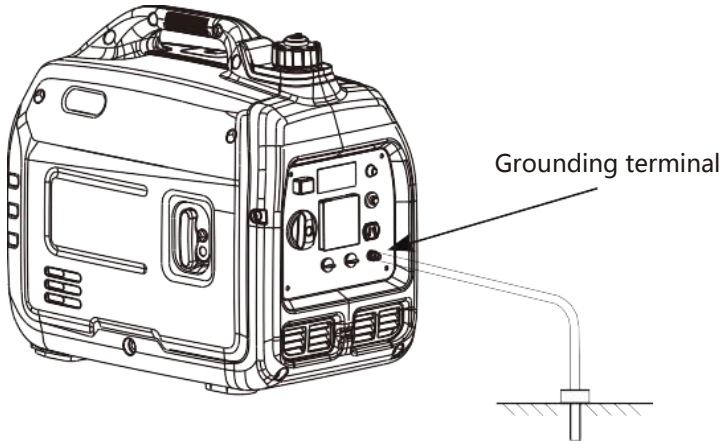
### ( 3 ) Generator grounding

In order to prevent any damage to the generator caused by electric shock or improper electrical application, it is recommended that the generator is grounded with a good conductor with insulating sheath.

- ① Please use grounding wire with sufficient electrical energy capacity;
- ② Connect one end of grounding wire to grounding bolt on control panel of the generator set;



- ③ Insert grounding body (iron rod with a diameter of 3/16 inch to 1/2 inch) 8 inches below into the ground and lead it out with conductor;
- ④ Connect the other end of the grounding wire to the led wire of grounding body.



#### ( 4 ) Battery charging

**Tip:**

- Rated DC voltage of this generator is 12V;
- After the generator is started, connect the battery to the generator;
- Before charging, make sure that DC protector has been switched on.

- ① Start up the generator.
- ② Connect red conductor of the battery to positive (+) terminal of the battery.
- ③ Connect black conductor of the battery to negative (-) terminal of the battery.

**ATTENTION**

- Make sure that red conductor of the charger is connected to the positive terminal (+) of the battery, and black wire and negative terminal shall not be connected reverse.

- The connection between the charger cable and battery terminal must be reliable, try to prevent the generator from moving or becoming loose.
- Follow all steps in the User's Manual for proper operation.
- In the process of charging, if the current exceeds the value of the rated current, the DC protector will shut off. Press the DC protector to "ON" to restart charging. If the DC protector switches off again, stop charging immediately and contact your dealer.

**Tip:** Measure specific gravity of electrolyte to determine whether the battery is fully charged. In the case of full charging, the specific gravity of electrolyte is between 1.26 and 1.28. It is recommended to check the specific gravity of electrolyte at least once an hour, to prevent the battery from being overcharged.

### **WARNING**

Never connect or disconnect the the battery during charging. The spark generated will ignite gas around the battery.

Battery contains sulfuric acid, which is toxic and could cause a fire. Please avoid expose to skin, eyes, and clothing.

#### **In the case of exposure to sulfuric acid, follow these steps:**





- External exposure: flush with large amount of water, visit a hospital
- Ingestion: Drink large amount of water or milk, and drink milk, egg liquid or vegetable oil containing magnesium oxide. Send victim to hospital immediately
- Eye exposure: Flush with water for 15 minutes, and seek medical treatment immediately.

**Tip:** The battery can generate explosive gas, keep it far away from sparks, flames, cigarettes, etc. Keep ventilated when charging or using the battery in a confined space.

**Keep the batteries out of reach of children.**

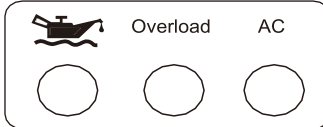
## ( 5 ) Range of application

Before using the generator, make sure that the total load is within the rated load range of the generator, otherwise the generator may be damaged.

AC				DC 
Power Factor	1	0.8~0.95	0.4~0.75 ( Efficiency0.85 )	
Output Power	≤1800W	≤1350W	≤600W	Rated Voltage 12V

### Tip:

- AC and DC can be used at the same time, but total the power amount shall not exceed rated output power.
- When the total power exceeds the rated power, the overload indicator will light up.



## VIII. Service and Maintenance

Good maintenance and service is the best guarantee for safe, efficient, and failure-free operation.

In order to keep the generator in good condition, you must inspect and maintain it regularly. The maintenance schedule is as follows:

Maintenance cycle		Each	First maintenance is carried out after 1 month or 20 hours of use	Afterwards, the maintenance is carried out every three months or every 50 hours	Every year or use of 100 hours
Item					
Engine oil	Check - fill	√			
	Replace		√	√	
Gearbox gear oil (if any)	Check oil level	√			
	Replace		√	√	
Air cleaner element	Inspection	√			
	clean		√		
	Replace			√	
Settling bowl (if any)	Clean				√
Spark plug	Clean - adjust				√*
Spark eliminator	Clean			√	
Idle speed (if any) **	Check - adjust				√
Valve clearance **	Check - adjust				√
Fuel tank and fuel filter ***	Clean				√
Fuel hose	Inspection	Every two years (Please replace if necessary)			
Cylinder head, piston	Remove carbon deposit **	Displacement <225cc, every 125 hours; displacement ≥225cc, every 250 hours.			
<p>* These items shall be replaced if necessary;</p> <p>** These items shall be maintained by the dealer authorized by the Company, unless the user has proper tools and maintenance ability.</p>					

### ATTENTION

- If unit is used regularly in high temperature or high load, oil must be changed every 25 hours;
- If unit is used regularly in dusty or harsh environment, the air filter must be cleaned every 10 hours. If necessary, the air filter must be replaced every 25 hours;
- Unit must be maintained every maintenance cycle
- If maintenance cycle time has elapsed, perform the maintenance as soon as possible as per the table above.

## ! WARNING

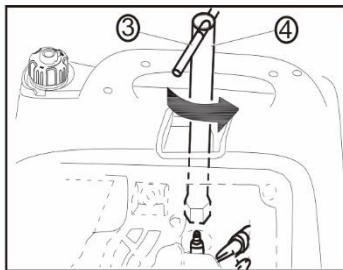
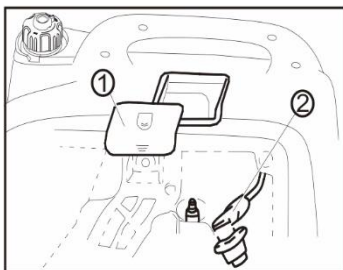
Shut down the engine before performing any maintenance. The engine must be placed in a horizontal position. In order to prevent the engine from starting up, the spark plug cap must be separated from the spark plug.

Do not use indoors or use in a confined space, or other poorly ventilated areas. Make sure that the work area is well ventilated. Exhaust from the engine contains toxic gases and inhalation can cause shock, loss of consciousness, and even death.

### ( 1 ) Spark plug inspection

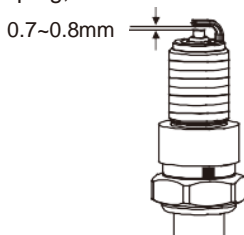
Spark plug is an important part of the generator, which must be inspected regularly.

- ① Remove the cover and the spark plug cap of the generator;
- ② Insert the screwdriver into the sleeve, unscrew it counterclockwise, and then remove the spark plug;



- ③ Check whether there is discoloration, and remove all carbon deposits. Check whether there is discoloration on the ceramic cores around the center electrode of the spark plug;

- ④ Check the model of spark plug and clearance.



Standard spark: A5RTC  
Spark plug gap: 0.7-0.8mm

**Tip:** The spark plug clearance is required to be measured by a line thickness gauge, and should be adjusted if necessary.

## ⑤ Installation of spark plug

Spark plug torque: 12.5 N.m

**Tip:** If there is no torque wrench when installing the spark plug, a better estimation method is to screw it 1/4-1/2 turns by force after screwing it in place, but the spark plug shall be screwed to specified torque as soon as possible.

## ( 2 ) Adjustment of the carburetor

The carburetor is an important component of the engine. The adjustment shall be carried out by a dealer with professional knowledge, professional data and equipment, to ensure that the adjustment is proper.

## ( 3 ) Replacement of oil

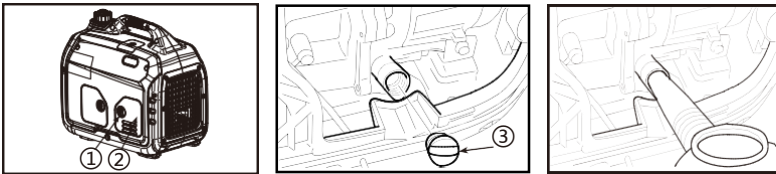
**WARNING** Do not drain the oil immediately after turning off the generator.

Oil temperature is very high, when operating, take care to avoid injury.

1 ) . Place the generator on a horizontal plane surface, start and run it for a few minutes, to increase its temperature, and then shut down the engine and turn the three-in-one combination switch knob to "OFF";

2 ) . Unscrew the knob ①, to remove oil cover plate②;

3 ) . Unscrew oil dipstick ③;



4 ) . Place an oil pan under the engine, tilt the generator to pour out the oil;

5 ) . Place the generator on a horizontal plane surface.

**ATTENTION:** When filling oil, do not tilt the generator to prevent any damage by filling too much oil.

6) . Refill oil to a proper level;

Recommended oil: SAE S10W/30  
Oil grade: API Standard Model SJ  
or Higher Volume: 12 FL OZ

7 ) . Tighten oil dipstick, cover external cover plate and tighten the knob.

#### ( 4 ) Air filter

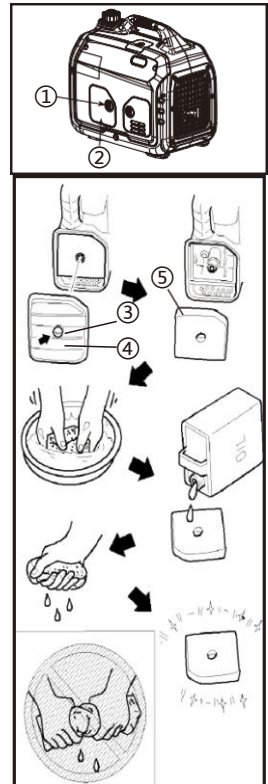
Dirty air filters may prevent air from flowing into the carburetor. In order to prevent carburetor failure, replace the air filter regularly. If being used in a dusty environment, it must be replaced frequently.

- 1). Unscrew the knob ①, to remove cover plate of the air filter ②;
- 2). Remove screws ③, to remove cover plate of air filter ④;
- 3). Remove foam filter element ⑤;
- 4). Clean foam filter element with cleaning solvent and blow it dry;
- 5). Drip a few drops of oil on foam filter element and squeeze off excess oil. The foam filter can be wet, but there should not be any oil dripping.

**ATTENTION** Be sure not to twist the foam filter forcibly to avoid damage.

6). Place foam element into air filter;

**Tip:** Make sure that the surface of foam filter element is in close contact with the air filter, and there is no gap. Be sure not to start the engine before air cleaner is assembled, because it will generate excessive toxic fumes and wear the cylinder;



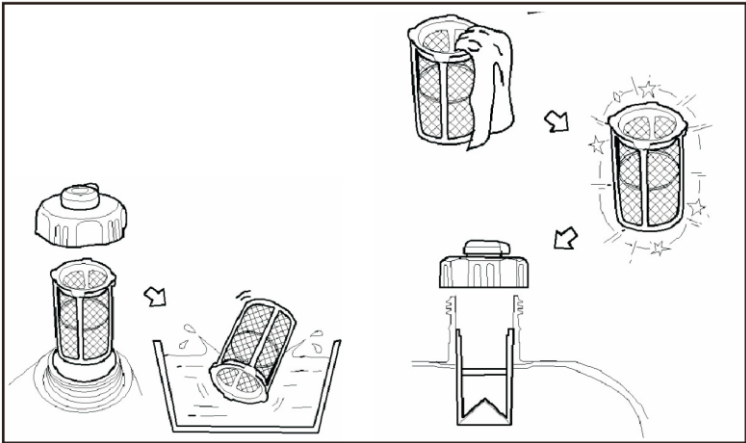
- 7). Reassemble the air filter cap back to its original position, and tighten the screws;
- 8). Assemble air cleaner cover and tighten the knob.

### ( 5 ) Fuel filter screen

**WARNING** Do not open the fuel tank of the generator in a place where smoking or with flame.

1. Remove fuel tank cap and fuel tank filter screen;
2. Clean fuel tank filter screen;
3. Wipe filter screen dry, and put it back into fuel tank;
4. Reassemble fuel tank cap.

**ATTENTION:** Be sure the fuel tank cap is screwed on tight.



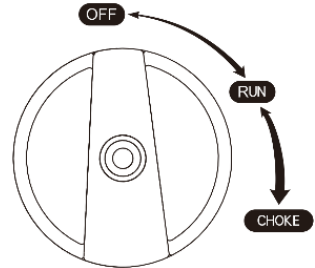


## IX. Storage and Transport

### ( 1 ) Generator storage

If it the generator is to be stored for a long period, follow these steps.

- 1). Turn the three-in-one switch to "OFF".
- 2). Open the fuel tank cap, to take out the fuel filter screen. Pump all fuel in fuel tank into special fuel tank, and then reassemble the fuel tank cap back;
- 3). Start up the engine to burn off the fuel in the carburetor, and then shut it down;



**Tip:** Do not connect any electrical equipment.

- 4). Remove bolts of right enclosure;
- 5). Unscrew fuel drain bolt on the carburetor, and drain fuel in the carburetor into special fuel tank.
- 6). Turn three-in-one switch to "OFF";
- 7). Tighten fuel drain bolt;
- 8). Assemble right enclosure back, and tighten bolts;
- 9). After the engine is completely cooled, switch off the ventilation knob
- 10). Unscrew the oil dipstick and drain oil in the crankcase. Fill with new oil to the oil limit, and then assemble oil dipstick.
- 11). Remove spark plug and pour a bit of clean oil into the combustion chamber. Rotate the crankshaft a few turns, to distribute oil evenly, and then reassemble spark plug;
- 12). Gently pull recoil cord until you feel resistance, allowing both the inlet valve and exhaust valve to be closed;
- 13). Place the generator set in a clean and dry area.

### (2)Generator transport

- When the generator set is to be transported, it must be ensured that there is no risk of fuel spilling;

## **CALIFORNIA AND FEDERAL EMISSION CONTROL WARRANTY STATEMENT**

### **YOUR WARRANTY RIGHTS AND OBLIGATIONS**

The California Air Resources Board, the United States Environmental Protection Agency and Tomahawk Power, LLC are pleased to explain the emissions control system warranty on your 2018-2019 small engine/equipment (SORE). In the United States and California, new small engine/equipment must be designed, built and equipped to meet the State's stringent anti-smog standards. Tomahawk Power, LLC must warrant the emissions control system on your small engine/equipment for the periods of time listed below provided there has been no abuse, neglect or improper maintenance of your small engine/equipment.

Your emission control system may include parts such as the carburetor, fuel-injection system, the ignition system, catalytic convertor, fuel tanks, fuel lines, fuel caps, valves, canisters, filters, vapor hoses, belts, clamps, connectors, and other associated emission-related components. For engines less than or equal to 80 cc, only the fuel tank is subject to the evaporative emission control warranty requirements of this section.  
(California only)

Where a warrantable condition exists, Tomahawk Power, LLC will repair your small off-road engine/equipment at no cost to you including diagnosis, parts and labor.

#### **MANUFACTURER'S WARRANTY COVERAGE:**

The emissions control system is warranted for two years. If any emissions-related part on your small engine/equipment is defective, the part will be repaired or replaced by Tomahawk Power, LLC

#### **OWNER'S WARRANTY RESPONSIBILITIES:**

As the small engine/equipment owner, you are responsible for the performance of the required maintenance listed in your owner's manual. Tomahawk Power, LLC recommends that you retain all receipts covering maintenance on your small engine/equipment, but Tomahawk Power, LLC cannot deny warranty solely for the lack of receipts or for your failure to ensure the performance of all scheduled maintenance.

As the small engine/equipment owner, you should however be aware that Tomahawk Power, LLC may deny your warranty coverage if your small engine/equipment or a part has failed due to abuse, neglect, improper maintenance or unapproved modifications.

You are responsible for presenting your small engine/equipment to distribution center or service center authorized by Tomahawk Power, LLC as soon as the problem exists. The warranty repairs should be completed in a reasonable amount of time, not to exceed 30 days.

If you have any questions regarding your warranty rights and responsibilities, you should contact Tomahawk Power, LLC customer service representative at 1-866-577-4476 or Email: support@tomahawk-power.com .

## DEFECTS WARRANTY REQUIREMENTS

(a)The warranty period begins on the date the small engine/equipment is delivered to an ultimate purchaser.

(b)General Emissions Warranty Coverage. Tomahawk Power, LLC warrants to the ultimate purchaser and each subsequent owner that the engine/equipment is:

- (1) Designed, built, and equipped so as to conform with all applicable regulations adopted by the Air Resources Board; and
- (2) Free from defects in materials and workmanship that causes the failure of a warranted part for a period of two years.

(c)Subject to certain conditions and exclusions as stated below, the warranty on emissions related parts is as follows:

- (1)Any warranted part that is not scheduled for replacement as required maintenance in your **Owner's Manual** is warranted for the warranty period stated above. If the part fails during the period of warranty coverage, the part will be repaired or replaced by Tomahawk Power, LLC according to Subsection (4) below. Any such part repaired or replaced under warranty will be warranted for the remainder of the period.
- (2)Any warranted part that is scheduled only for regular inspection in your **Owner's Manual** is warranted for the warranty period stated above. Any such part repaired or replaced under warranty will be warranted for the remaining warranty period.
- (3)Any warranted part that is scheduled for replacement as required maintenance in your **Owner's Manual** is warranted for the period of time before the first scheduled replacement date for that part. If the part fails before the first scheduled replacement, the part will be repaired or replaced by Tomahawk Power, LLC according to Subsection (4) below. Any such part repaired or replaced under warranty will be warranted for the remainder of the period prior to the first scheduled replacement point for the part.
- (4)Repair or replacement of any warranted part under the warranty provisions herein must be performed at a warranty station at no charge to the owner.
- (5)Notwithstanding the provisions herein, warranty services or repair will be provided at all of our distribution centers that are franchised to service the subject small engine/equipment.
- (6)The small engine/equipment owner must not be charged for diagnostic labor that leads to the determination that a warranted part is in fact defective, provided that such diagnostic work is performed at a warranty station.
- (7)Tomahawk Power, LLC is liable for damages to other small engine/equipment components proximately caused by a failure under warranty of any warranted part.
- (8)Throughout the small engine/equipment warranty period stated above, Tomahawk Power, LLC will maintain a supply of warranted parts sufficient to meet the expected demand for such parts.
- (9)Any replacement part may be used in the performance of any warranty maintenance or repairs and must be provided without charge to the owner. Such use will not reduce the warranty obligations of Tomahawk Power, LLC

(10) Add-on or modified parts that are not exempted by the Air Resources Board may not be used. The use of any non-exempted add-on or modified parts by the ultimate purchaser will be grounds for disallowing a warranty claim. Tomahawk Power, LLC will not be liable to warrant failures of warranted parts caused by the use of a non-exempted add-on or modified part.

(11) The manufacturer issuing the warranty shall provide any documents that describe that manufacturer's warranty procedures or policies within five working days of request by the Air Resources Board.

#### EMISSION WARRANTY PARTS LIST

The repair or replacement of any warranted part otherwise eligible for warranty coverage may be excluded from such warranty coverage if Tomahawk Power, LLC demonstrates that the small engine/equipment has been abused, neglected, or improperly maintained, and that such abuse, neglect, or improper maintenance was the direct cause of the need for repair or replacement of the part. That notwithstanding, any adjustment of a component that has a factory installed, and properly operating, adjustment limiting device is still eligible for warranty coverage. The following emissions warranty parts for each engine family list is covered.

For engine families greater than 80cc:

(1) Fuel Metering System:

(a) Gasoline carburetor assembly and its internal components

(b) Carburetor gaskets

(c) Fuel tank

(d) Fuel Line

(e) Fuel Line Fittings

(f) Clamps

(g) Pressure regulator (if equipped)

(h) Mixer assembly and its internal components (if equipped)

(2) Air Induction System including:

(a) Intake pipe/manifold

(b) Air cleaner

(3) Ignition System including:

(a) Spark plug

(b) Ignition coil

(4) Catalytic Muffler Assembly including:

(a) Muffler gasket

(b) Exhaust manifold

(c) Catalytic converter

(5) Crankcase Breather Assembly including:

(a) Breather connection tube.

(6) Fuel tank evaporative emissions control system including:

(a) Purge Valves

(b) Carbon Canister

(c) Canister Mounting Brackets

(d) Fuel Cap

(e) Fuel Tank

(7) Miscellaneous items Used in Above Systems including:

(a) Switches

(b) Hoses, belts, connectors, and assemblies.

(8) Air injection system

(a) Pulse valve

For engine families less than or equal to 80cc:

(1) Fuel Metering System:

(a) Gasoline carburetor assembly and its internal components

(b) Fuel filter (if so equipped)

(c) Carburetor gaskets

(d) Fuel pump (if so equipped)

(2) Air Induction System including:

(a) Intake pipe/manifold

(b) Air cleaner

(3) Ignition System including:

(a) Spark plug

(b) Ignition module/coil

(4) Catalytic Muffler Assembly (if so equipped) including:

(a) Muffler gasket

(b) Exhaust manifold

(5) Crankcase Breather Assembly including:

(a) Breather connection tube.

(6) Miscellaneous items Used in Above Systems including:

(a) Switches

(b) Hoses, belts, connectors, and assemblies.

(7) Fuel tank evaporative emissions control system including:

(a) Fuel Tank

The warranty is provided in accordance with the "California AND FEDERAL Emission Control Warranty Statement".

# TOMAHAWK

## COMPACTION



HONDA  
ENGINES

**3,550 lbs/ft Vibratory Rammer**  
Part#: TR68H

3.6 HP Honda GXR120 Engine  
Easily achieve a 100% compaction rating  
3-in-One Fuel System with carburetor protection  
13" x 11" plate for narrow trenches and corners  
3 Year Engine Warranty & 1 Year Product Warranty



HONDA  
ENGINES

**3,400 lbs/ft Plate Compactor**  
Part#: TPC90H

5.5 HP Honda GX160 Engine  
Easily achieve a 100% compaction rating  
22" x 20" cold, rolled steel beveled base plate  
Includes 3.5 gallon water tank for asphalt compaction  
3 Year Engine Warranty & 1 Year Product Warranty



HONDA  
ENGINES

KOHLER  
ENGINES

**3,000 lbs/ft Plate Compactor**  
Part#: TPC80 & TPC80H

6 HP Kohler CH260 & 5.5 HP Honda GX160 Engines  
Easily achieve a 100% compaction rating  
16.5" x 21.5" plate for narrow trenches and corners  
Optional Honda Engine model: TPC80H  
3 Year Engine Warranty & 1 Year Product Warranty

## FINISHING



**6.5 Gal Backpack Concrete Sprayer**  
Part#: TCS6.5

Maintain constant, adjustable pressure up to 450 PSI  
Achieve superior concrete finishes with even spraying  
Spray 15,000 sq ft in less than 10 minutes  
Compatible with major manufacturer wands  
1 Year Product Warranty



HONDA  
ENGINES

**1.6 HP Vibratory Concrete Screed**  
Part#: TVSA-H

1.6 HP Honda GX35 Engine  
Aluminum Magnesium blades available from 8ft - 14ft  
Finish concrete 4X faster than other screed methods  
360° adjustable handle placement  
3 Year Engine Warranty & 1 Year Product Warranty



HONDA  
ENGINES

**6" Early Entry Green Concrete Saw**  
Part#: TFS6H

5.5 HP Honda GX160 Engine  
Maximum cutting depth of 1 3/16 inches  
OSHA compliant vacuum port for dust collection  
Includes 6" early entry concrete blade  
3 Year Engine Warranty & 1 Year Product Warranty

## GENERATORS



INVERTER SERIES

**2000 Watt Inverter Generator**  
Part#: TG2000i

2000 Max Watts, 1600 Rated Watts  
Run Time of 8 hours on 1 gallon of gas  
OSHA and GFCI Compliant  
Parallel technology capable for double the power  
2 Year Product Warranty



INVERTER SERIES

**3500 Watt Inverter Generator**  
Part#: TG3500i

3500 Max Watts, 3000 Rated Watts  
Run Time of 20 hours on 3.5 gallon of gas  
OSHA and GFCI Compliant with Electric Start  
Parallel technology capable for double the power  
2 Year Product Warranty



**4000 & 7000 Watt Generators**  
Part#: TG4000 & TG7000

4000 / 7000 Max Watts, 2500 / 5500 Rated Watts  
Voltage Selector gives Full Wattage for 120V or 240V  
Run Time of 8 hours at 50% Load  
OSHA and GFCI Compliant  
2 Year Product Warranty

HAVE QUESTIONS?

Contact us. *We're here to help!*

Email us at [sales@tomahawk-power.com](mailto:sales@tomahawk-power.com)



**WELDING / POWER**

INVERTER SERIES



**120 Amp Portable Welder Generator**  
Part#: TWG120A

Steady 120 Amp DC welding output  
60% Duty Cycle for extended use  
Suitable for welding rods from 6010 to 6013  
Includes wheel kit for job site portability  
2 Year Product Warranty

INVERTER SERIES



**210 Amp Portable Welder Generator**  
Part#: TWG210A

Steady 50 - 210 Amp DC welding output  
60% Duty Cycle for extended use  
Suitable for welding rods from 6010 to 7024  
Electric Key Start with battery included  
2 Year Product Warranty



**9000 Watt Generators**  
Part#: TG9000

9000 Max Watts, 8500 Rated Watts  
Run Time of 10 hours at 50% Load  
7 gallon fuel tank for extended use  
Electric Key Start with battery included  
2 Year Product Warranty

**PEST CONTROL**



**3.7 Gallon 3HP Backpack Fogger**  
Part#: TMD14

Turbo Boosted Pump with 40ft + Horizontal Reach  
Sprays 1 acre in 30 minutes  
10X Faster than Manual Pump Sprayers  
Converts to Leaf Blower with 200 MPH Air Velocity  
1 Year Engine Warranty & 1 Year Product Warranty



**5 Gallon 1.8HP Backpack Sprayer**  
Part#: TPS25

Reach Up to 30ft Horizontal Reach  
Sprays 1 acre in 15 minutes  
10X Faster than Manual Pump Sprayers  
450 PSI Commercial Grade Pump  
1 Year Engine Warranty & 1 Year Product Warranty



**4 Gallon 3HP Backpack Spreader**  
Part#: TGS30

Reach Up to 30ft Horizontal Reach  
Covers 1 acre in less than 30 minutes  
20X Faster than Manual Broadcast Spreaders  
Converts to Fogger with Liquid Tank Accessory  
1 Year Engine Warranty & 1 Year Product Warranty

**AND MORE**



HONDA ENGINES

**8" Gas Powered Concrete Scarifier**  
Part#: TSCAR8H

5.5 HP Honda GX160 Engine  
Remove traffic lines at 800 - 1,000 linear ft/hr  
Tungsten Carbide Blade Kit Available  
OSHA approved dust port for silica vacuum removal  
3 Year Engine Warranty & 1 Year Product Warranty



KOHLER ENGINES

**36" & 46" Concrete Power Trowel**  
Part#: TPT36K & TPT46K

6 HP Kohler CH260 & 14 HP Kohler CH440 Engines  
Adjust trowel blade pitch from 0-28°  
60-115 RPM rotor speed for superior concrete finishes  
Includes float pan and trowel blades  
3 Year Engine Warranty & 1 Year Product Warranty



**2" and 3" Trash Water Pumps**  
Part#: TW2 & TW3

Moves liquids at a rate up to 9,240 gallons/hour  
Handle solids up to 0.6"  
Cast iron impeller for smooth performance  
6.5 HP engine protected by rugged all purpose frame  
1 Year Product Warranty

ASSEMBLED IN THE  
**USA**  
PARTS SOURCED GLOBALLY

(866) 577-4476

www.tomahawk-power.com



## Power Your World

Tomahawk understands to keep a job-site running smoothly the proper equipment and spare parts are needed at the drop of a hat. With same day shipping and faster delivery times, count on Tomahawk to keep you powered throughout the day! With long lasting parts and engines, Tomahawk equipment will be the star of your fleet for years to come. Visit [www.tomahawk-power.com](http://www.tomahawk-power.com) to get started today!

# TOMAHAWK

Tomahawk Power, LLC  
San Diego, CA

### Sales Support

(866) 577-4476

[sales@tomahawk-power.com](mailto:sales@tomahawk-power.com)

### Equipment Support

(866) 577-4476

[support@tomahawk-power.com](mailto:support@tomahawk-power.com)

[www.tomahawk-power.com](http://www.tomahawk-power.com)

