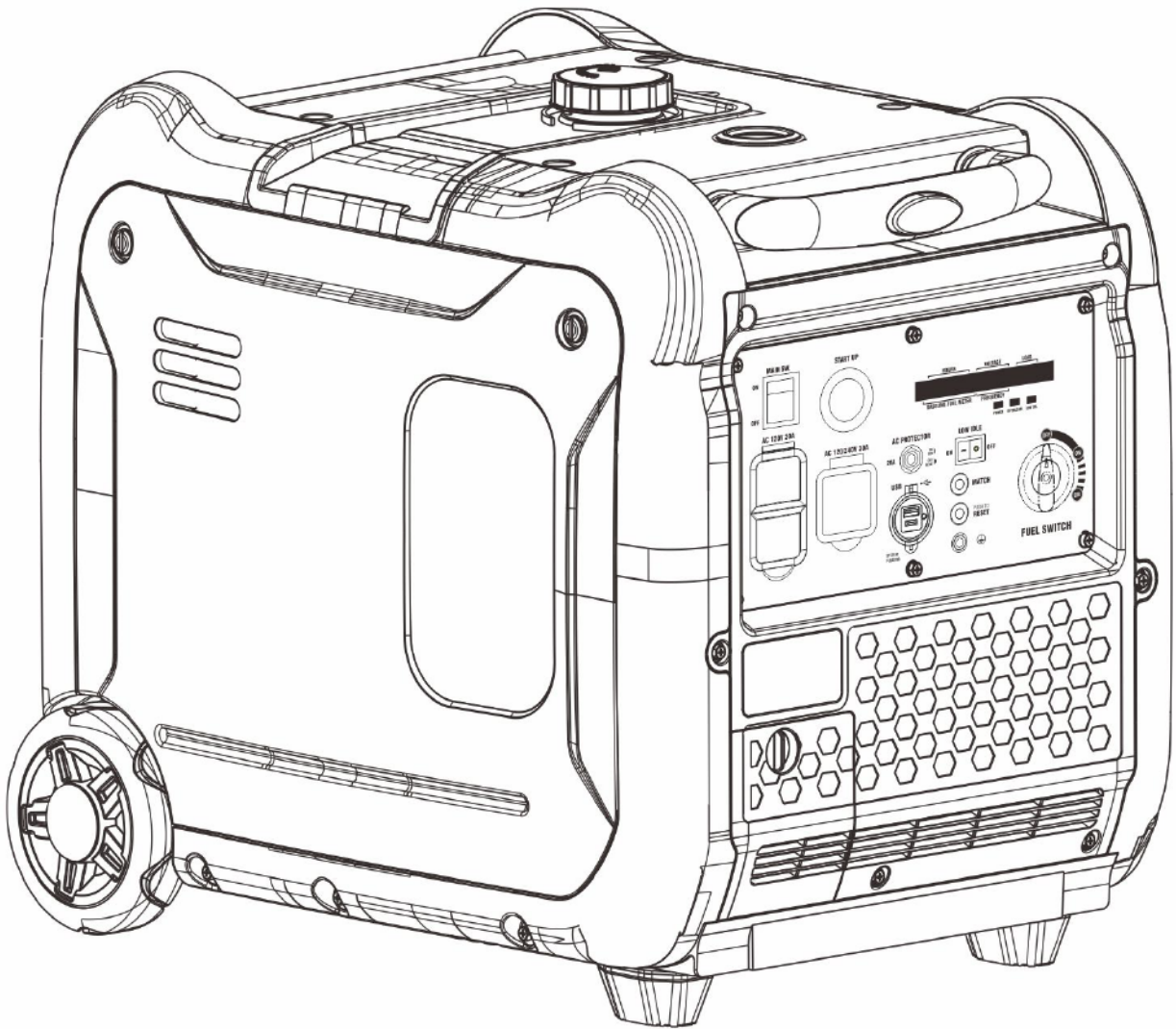


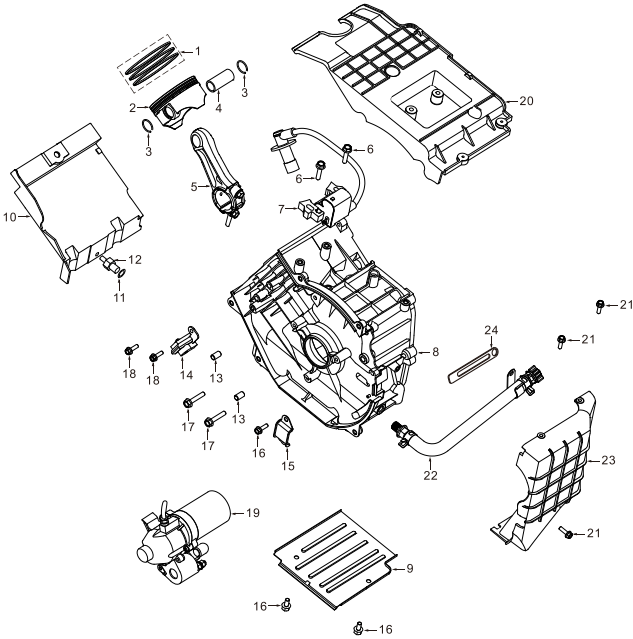
TOMAHAWK

TG5500i
INVERTER GENERATOR

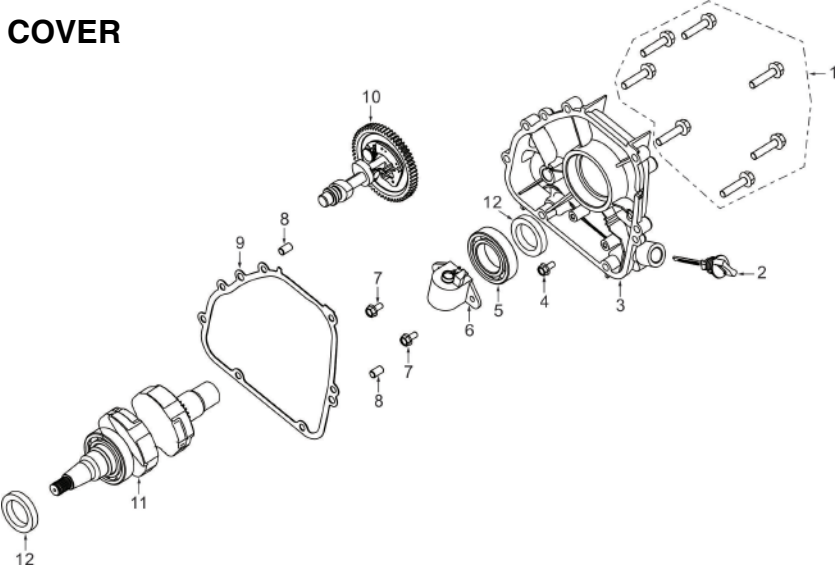
Operation Manual



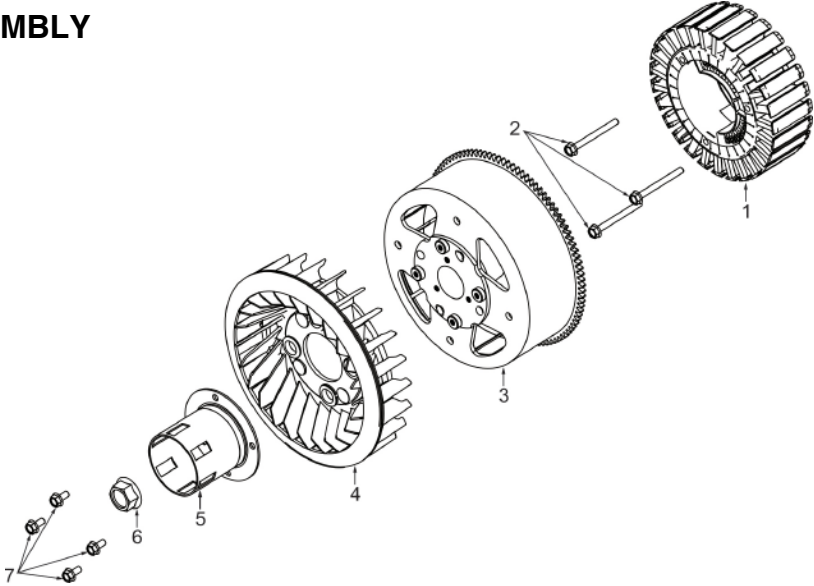
CRANKCASE



CRANKCASE COVER



MOTOR ASSEMBLY



CRANKCASE

No.	Part No.	Description	Quantity
1	0210.180.X01V.00.00	Piston Ring Ass.	1
2	0200.F80.001V.00.00	Piston	1
3	0230.168.001V.00.00	Clip,Piston Pin	2
4	0220.F80.001V.00.00	Piston Pin	1
5	0190.F80.001V.00.00	Connecting Rod Assembly	1
6	5787.06025.00.01	Blot	2
7	2100.F80.001V.00.00	High Pressure Bag	1
8	1000.F80.0011.00.00	Crankcase Body	1
9	3340.F80.001V.00.00	Engine Floor	1
10	6985.F80.0020.00.00	Cylinder Head Cover	1
11	1260.168.R001V.66.00	Gasket For Oil Drain Bolt	2
12	1250.F80.0011.00.20	Oil Drain Bolt	2
13	3170.168.R001V.00.00	Set Pin	2
14	1521.F80.001V.00.00	Trigger	1
15	2090.F80.001V.00.00	Crimping Board	1
16	5787.06014.00.01	Blot	3
17	5789.06028.00.01	Blot	2
18	5789.05016.00.07	Blot	2
19	2070.F80.A030.00.00	Starting Motor	1
20	8654.F80.0011.00.00	Case Cover	1
21	5787.06018.00.01	Blot	3
22	2330.F80.001V.00.00	Oil Drain Pipe Combination	1
23	2783.F80.0020.00.00	Starting Motor Cover	1
24	1220.528.R0010.00.00	Tension Disc	1

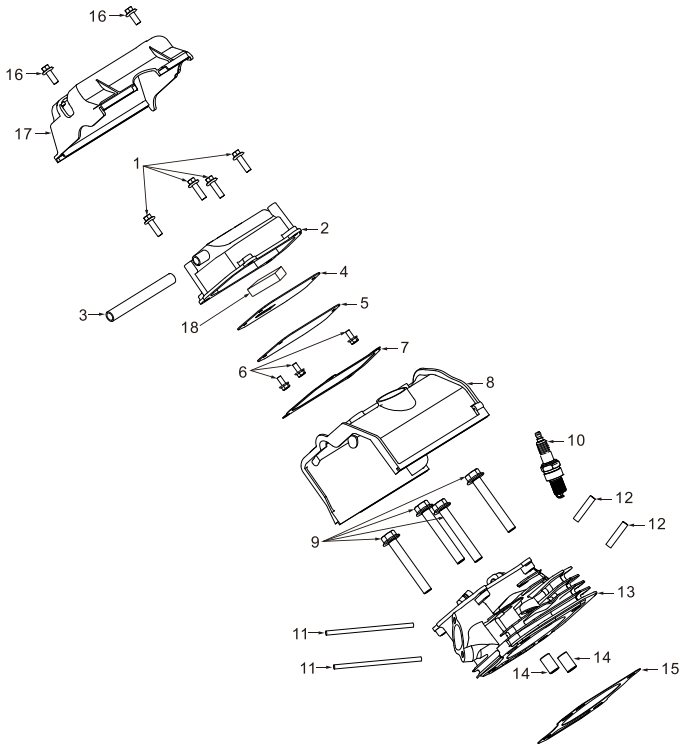
CRANKCASE COVER

No.	Part No.	Description	Quantity
1	5787.08035.00.01	Blot	7
2	1230.F80.001V.00.00	Oil Gauge Ass.	1
3	1010.F80.0031.00.00	Crankcase Cover	1
4	5789.06010.00.01	Blot	1
5	0270.173.005V.00.00	Ball Bearing	1
6	1020.164.0011.00.00	Warning Device	1
7	5787.06014.00.01	Blot	2
8	3170.168.R001V.00.00	Set Pin	2
9	3040.F80.0011.00.00	Gasket,Crankcase	1
10	1040.F80.0010.60.00	Camshaft Ass.	1
11	0180.F80.0030.61.00	Grankshaft Ass.	1
12	3150.173.001V.00.00	Oil Seal	2

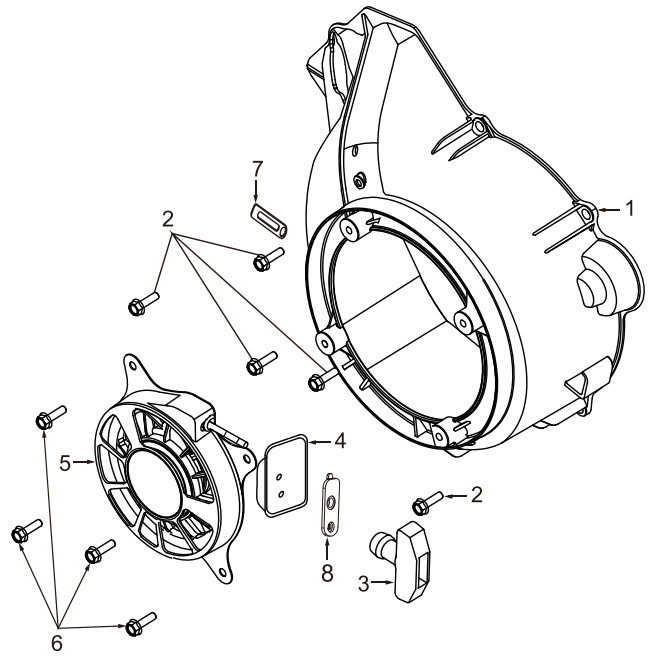
MOTOR ASSEMBLY

No.	Part No.	Description	Quantity
1	5787.08035.00.01	Blot	7
2	1230.F80.001V.00.00	Oil Gauge Ass.	1
3	1010.F80.0031.00.00	Crankcase Cover	1
4	5789.06010.00.01	Blot	1
5	0270.173.005V.00.00	Ball Bearing	1
6	1020.164.0011.00.00	Warning Device	1
7	5787.06014.00.01	Blot	2
8	3170.168.R001V.00.00	Set Pin	2
9	3040.F80.0011.00.00	Gasket,Crankcase	1
10	1040.F80.0010.60.00	Camshaft Ass.	1
11	0180.F80.0030.61.00	Grankshaft Ass.	1
12	3150.173.001V.00.00	Oil Seal	2

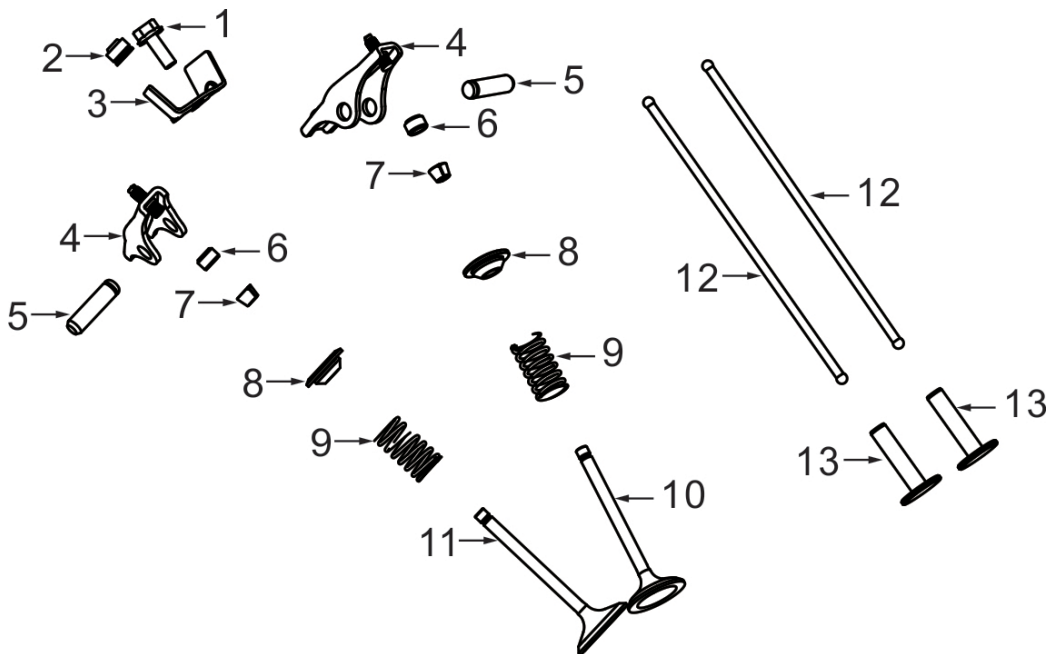
CYLINDER HEAD



ENGINE STARTER



AIR DISTRIBUTION



CYLINDER HEAD

No.	Part No.	Description	Quantity
1	5787.06025.00.01	Blot	4
2	0001.F80.001V.00.01	Cylinder Head Cover	1
3	2370.F80.001V.00.00	Exhaust Pipe	1
4	7061.F80.001V.00.00	Breathing Valve Plate Assembly	1
5	7061.F80.002V.00.00	Breathing Valve Pad	1
6	5789.05010.00.07	Blot	1
7	3000.F80.001V.00.00	Cylinder Head Cover Pad	1
8	2190.F80.0012.00.00	Cylinder Guide Hood	1
9	5787.10075.05.10	Blot	4
10	2160.168.06V.00.00	Spark Plug	1
11	0900.06102.00.01	Blot	2
12	R0900.08032.00.01	Blot	2
13	0010.F80.001V.00.00	Cylinder Head	1
14	3170.188.002V.00.00	Set Pin	2
15	3020.F80.0020.00.00	Gasket, Cylinder Head	1
16	5787.06018.00.01	Blot	2
17	2781.F80.0011.00.00	Cylinder Head Cover	1
18	7080.165.001V.00.00	Fuel Filter	1

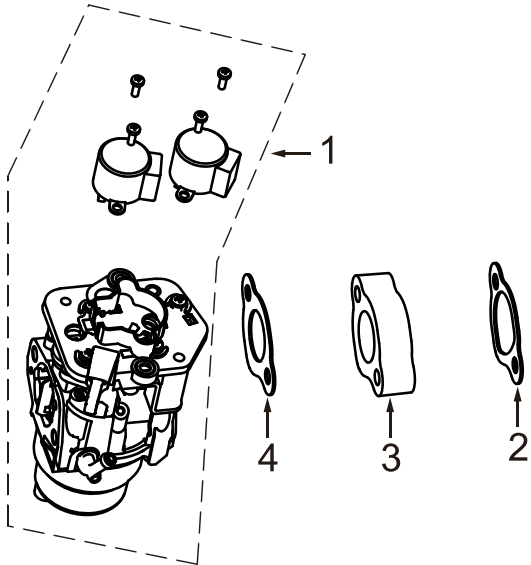
ENGINE STARTER

No.	Part No.	Description	Quantity
1	2000.F80.0011.00.01	Starting Hood	1
2	5787.06018.00.01	Blot	5
3	2000.T70.001V.00.03	Starting Handle	1
4	2186.T48.001V.00.00	Handle Cover	1
5	2000.T70.0020.00.02	Pull The Plate	1
6	5787.06014.00.01	Blot	4
7	1220.528.R0020.00.00	Tension Disc	1
8	7495.528.0020.00.00	Cable Trim Cover Plate	1

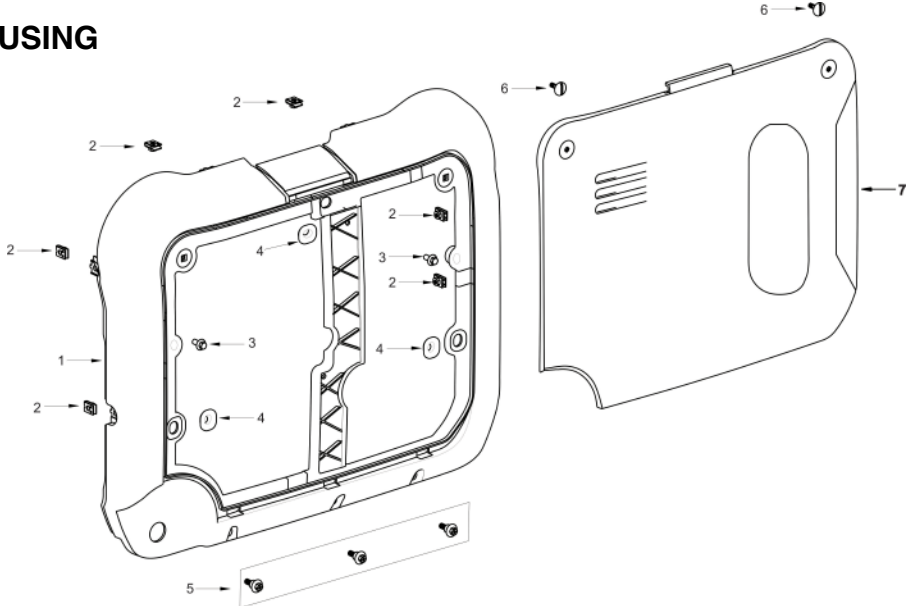
AIR DISTRIBUTION

No.	Part No.	Description	Quantity
1	5787.06014.00.01	Blot	1
2	0085.165.001V.00.00	Oil Seal,Intake Valve	1
3	0107.F70.020V.00.00	Rocker Shaft Stop	1
4	0100.F80.001V.00.00	Rocker Ass.	2
5	0105.K92.001V.00.00	Rocker Shaft	2
6	0090.168.001V.00.00	Valve Top Cap	2
7	1120.165.0020.00.00	Valve Collet	2
8	0060.165.0020.00.00	Valve Spring Seat	2
9	0040.F80.001V.00.00	Valve Spring	2
10	0030.F80.001V.00.00	Exhaust Valve	1
11	0020.F80.001V.00.00	Intake Valve	1
12	0160.F80.001V.00.00	Pusher	2
13	1030.F68.001V.00.00	Tappet	2

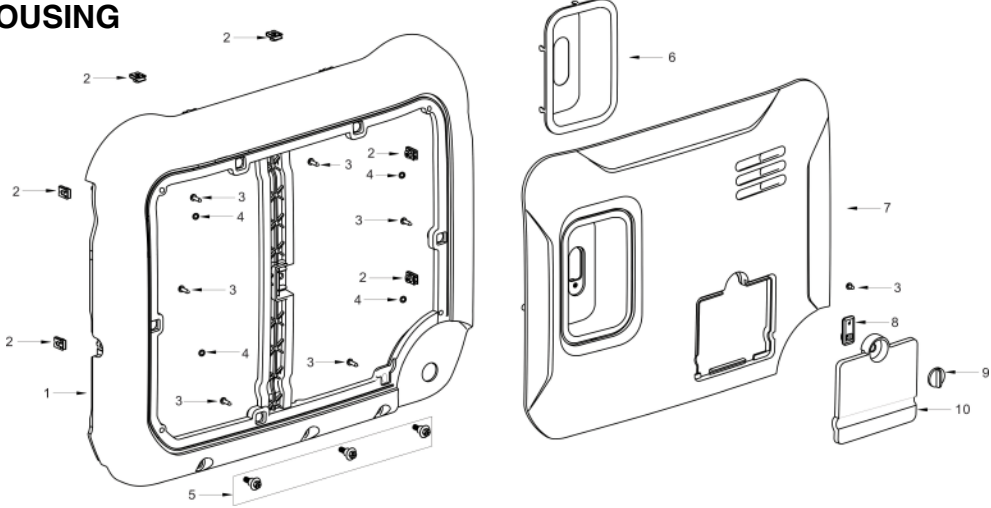
CARBURETOR



RIGHT HOUSING

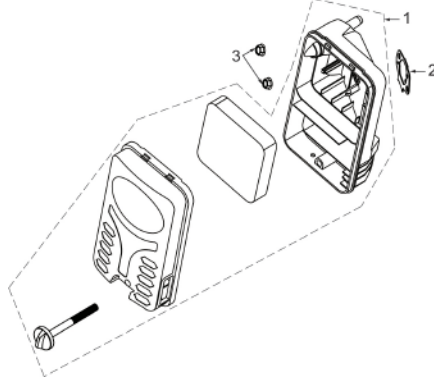


LEFT HOUSING



CARBURETOR

No.	Part No.	Description	Quantity
1	2260.F80.0070.00.00	Carburetor Ass.	1
2	3060.F80.001V.00.00	Gasket,Inlet Port	1
3	2300.F80.001V.00.00	Carburetor Block	1
4	3080.F80.001V.00.00	Gasket,Carburetor	1



AIR FILTER

No.	Part No.	Description	Quantity
1	2280.F80.0020.00.00	Air Cleaner Ass.	1
2	3095.168.001V.00.00	Air Filter Paper Pad	1
3	6177.06000.00.01	Nut	2

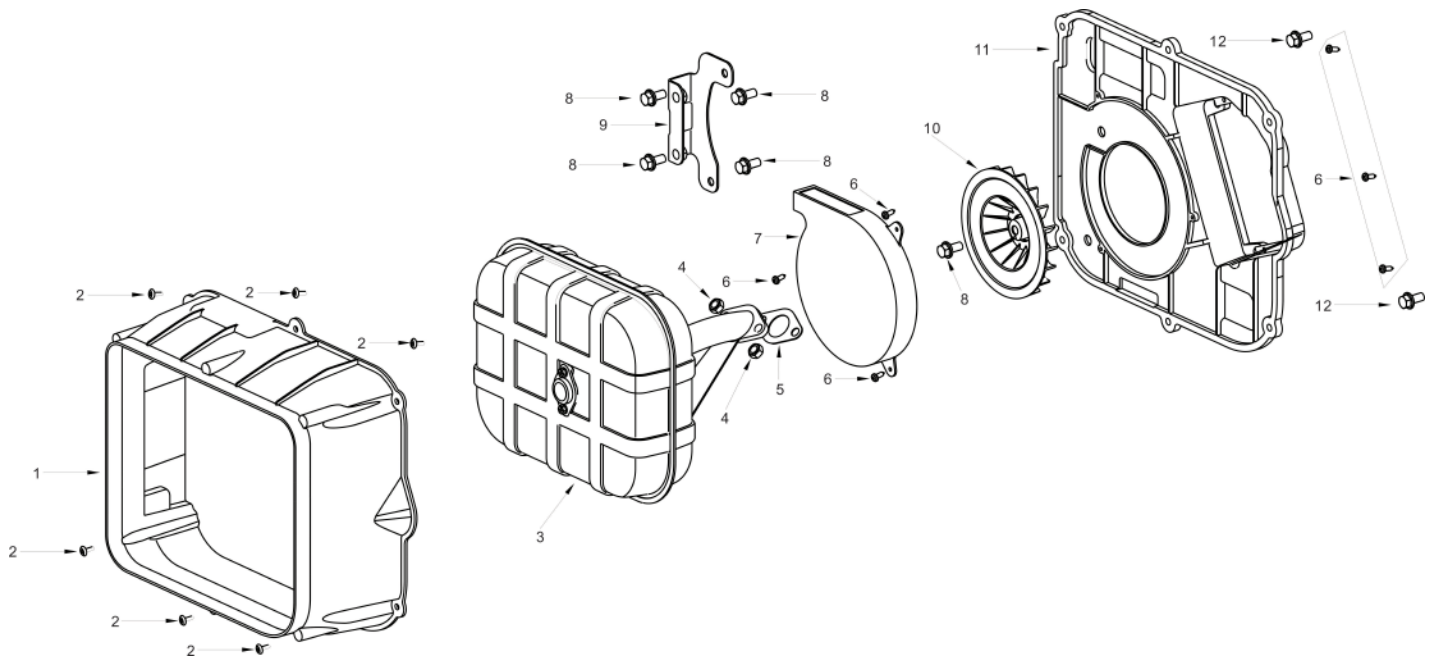
RIGHT HOUSING

No.	Part No.	Description	Quantity
1	2222.528.001V.00.00	Right Shell	1
2	6178.05000.01.04	Nut	6
3	0845.42013.00.01	Self Tapping Screw	7
4	5598.467.001V.00.00	Plum Blossom Hole Retaining Ring	4
5	4789.467.001V.00.00	Bolt	3
6	7495.528.001V.00.00	Decorative Cover Of Starting Handle	1
7	5596.528.0010.P4.00	Right Appearance Cover	1
8	6542.528.001V.00.00	Limit Stop	1
9	6378.528.001V.00.00	Door Knob	1
10	1142.528.0010.A6.00	Oil Filling And Draining Maintenance Door	1

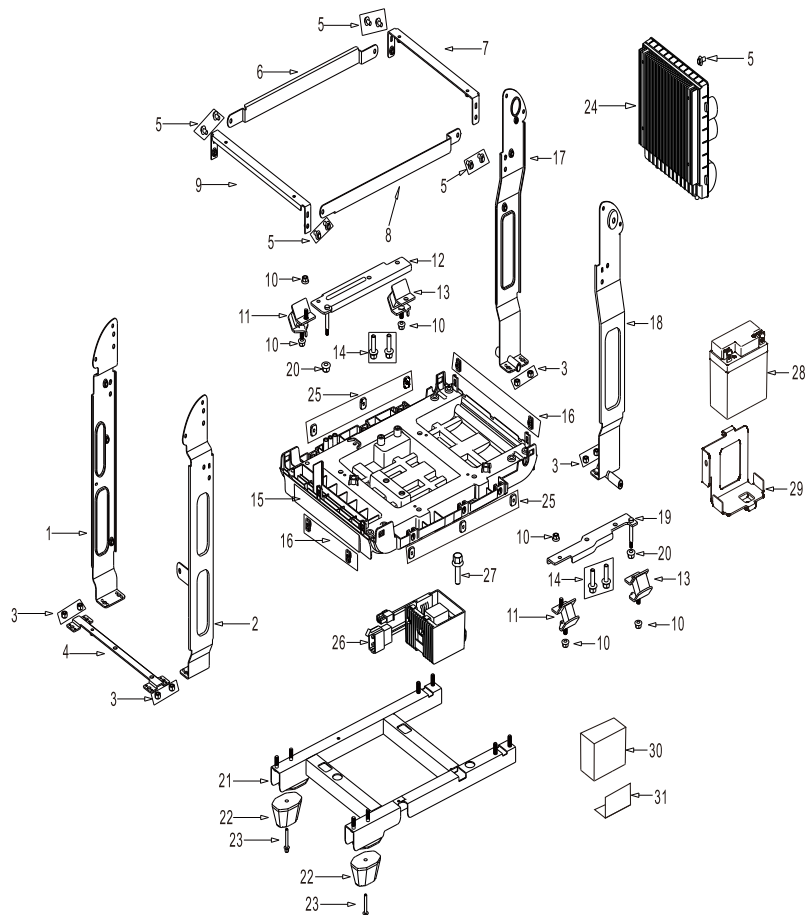
LEFT HOUSING

No.	Part No.	Description	Quantity
1	2222.528.001V.00.00	Right Shell	1
2	6178.05000.01.04	Nut	6
3	0845.42013.00.01	Self Tapping Screw	7
4	5598.467.001V.00.00	Plum Blossom Hole Retaining Ring	4
5	4789.467.001V.00.00	Bolt	3
6	7495.528.001V.00.00	Decorative Cover Of Starting Handle	1
7	5596.528.0010.P4.00	Right Appearance Cover	1
8	6542.528.001V.00.00	Limit Stop	1
9	6378.528.001V.00.00	Door Knob	1
10	1142.528.0010.A6.00	Oil Filling And Draining Maintenance Door	1

MUFFLER



FRAME



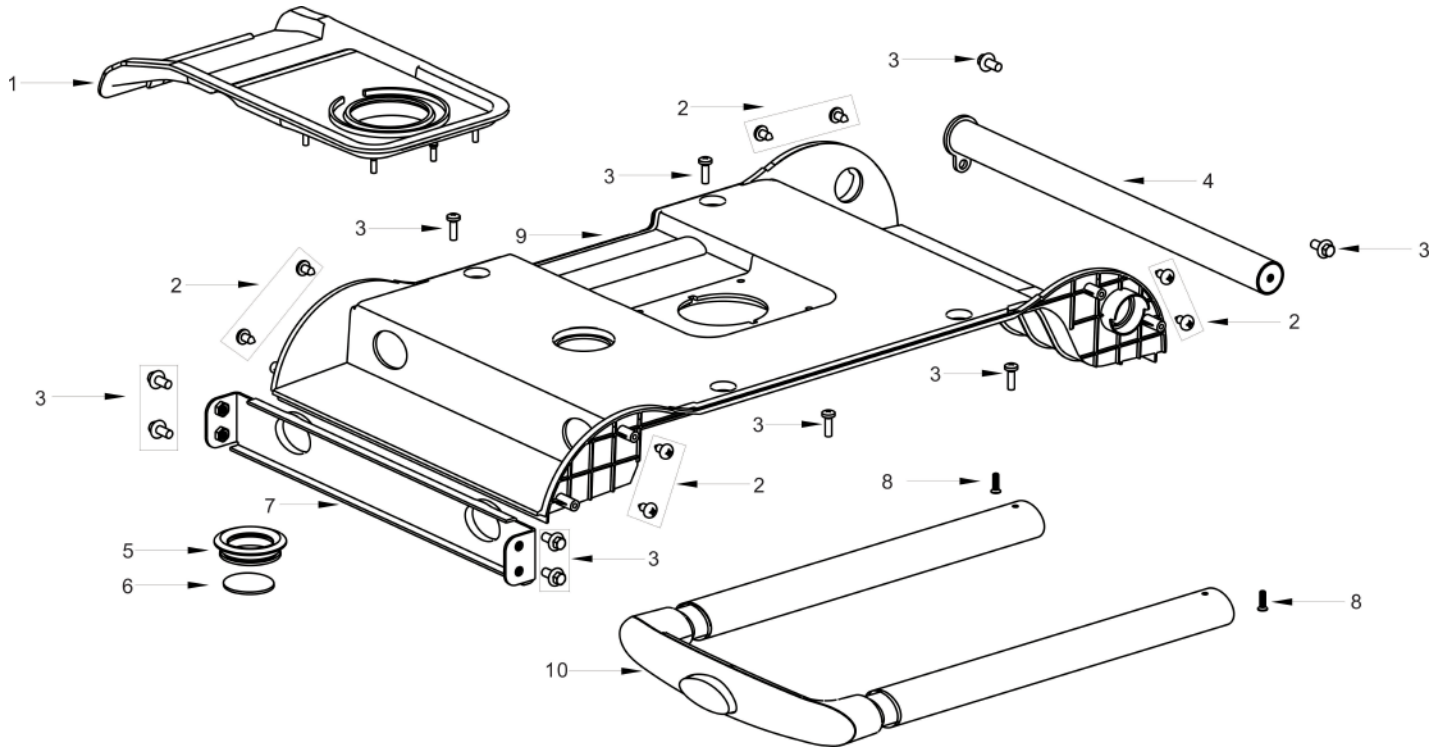
MUFFLER

No.	Part No.	Description	Quantity
1	2402.528.001V.00.00	Muffler Cover	1
2	5787.05016.00.01	Bolt	6
3	2400.528.001V.00.00	Muffler Assembly	1
4	6170.08000.00.01	Hexagon Nut	2
5	3100.188.004V.00.00	Muffler Gasket	1
6	0845.42013.00.07	Self Tapping Screw	6
7	2030.528.0011.63.12	Fan Hood	1
8	5787.08016.00.01	Bolt	5
9	1689.528.001V.00.00	Muffler Mounting Bracket	1
10	2030.F80.001V.00.00	Fan	1
11	9757.528.001V.00.00	The Muffler Housing Clapboard	1
12	5787.06016.00.01	Bolt	2

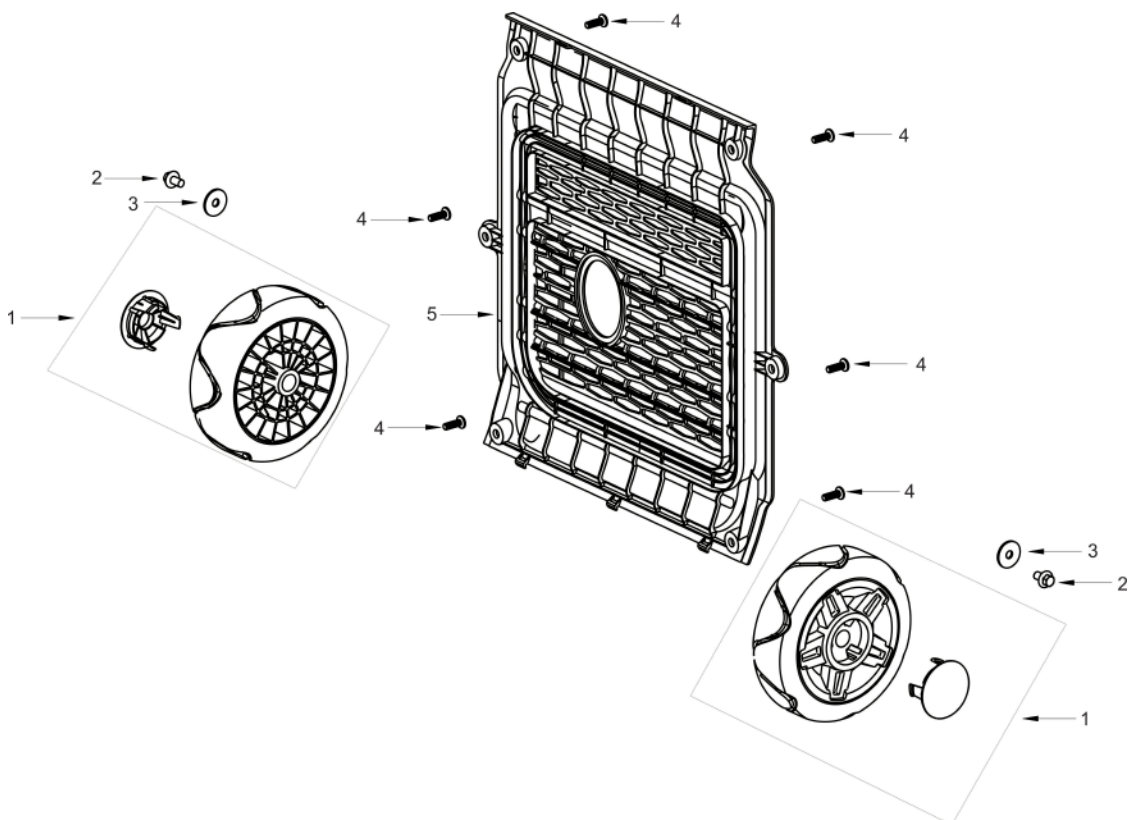
FRAME

No.	Part No.	Description	Quantity
1	4863.528.0011.00.00	Left Bracket 1	1
2	4863.528.0031.00.00	Right Bracket 1	1
3	6170.08000.00.07	Nut	8
4	9727.528.001V.00.00	Front Cross Bar	1
5	5787.06012.00.01	Bolt	9
6	2999.528.001V.00.00	Left Rail	1
7	7174.528.002V.00.00	Fuel Tank Rear Bracket	1
8	2999.528.002V.00.00	Right Rail	1
9	7174.528.001V.00.00	Fuel Tank Front Bracket	1
10	6177.08000.00.01	Nut	6
11	3360.487.001V.00.00	Damping Pad 1	2
12	3340.528.001V.00.00	Power Fixed Base Plate 1	1
13	3360.528.001V.00.00	Damping Pad 1	2
14	5787.10025.05.01	Bolt	4
15	3340.528.0031.00.00	Floor	1
16	6178.05000.01.04	Clip Nut	4
17	4863.528.002V.00.00	Left Bracket 2	1
18	4863.528.004V.00.00	Right Bracket 2	1
19	3340.528.002V.00.00	Power Fixed Base Plate 2	1
20	6177.06000.00.01	Nut	2
21	6353.528.0011.00.00	Frame Bottom Bracket	1
22	3350.528.001V.00.00	Shock Absorber Seat	2
23	5787.06025.00.01	Bolt	2
24	2470.528.0110.00.00	Inverter	1
25	5926.467.001V.00.00	Square Nut	6
26	6854.528.0021.00.00	Voltage Regulating Rectifier	1
27	5787.06016.00.01	Bolt	1
28	2461.188.001V.00.00	Battery	1
29	4885.528.001V.00.00	Battery Holder	1
30	4440.528.0010.00.00	Canister	1
31	4441.528.0020.D7.00	Carbon Tank Bracket	1

PULL ROD



BACK COVER



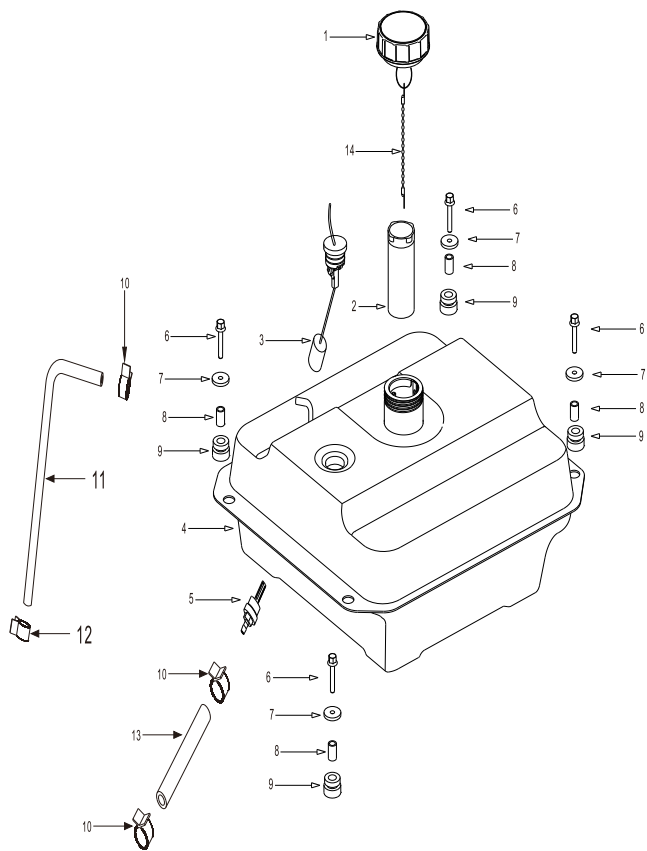
PULL ROD

No.	Part No.	Description	Quantity
1	3200.528.001V.00.03	Rubber Sleeve Of Oil Filling Port	1
2	0845.42016.00.07	Self Tapping Screw	8
3	5787.06012.00.01	Bolt	10
4	3330.528.0010.00.00	Handrail	1
5	9988.528.001V.00.00	Oil Level Window Rubber Sleeve	1
6	8787.528.001V.00.00	Oil Level Window Glass	1
7	9577.528.001V.00.00	Pull Handle Support Frame	1
8	0845.35095.00.07	Self Tapping Screw	2
9	9674.528.001V.00.00	Upper Shell	1
10	9874.528.0060.00.00	Pull Handle Assembly	1

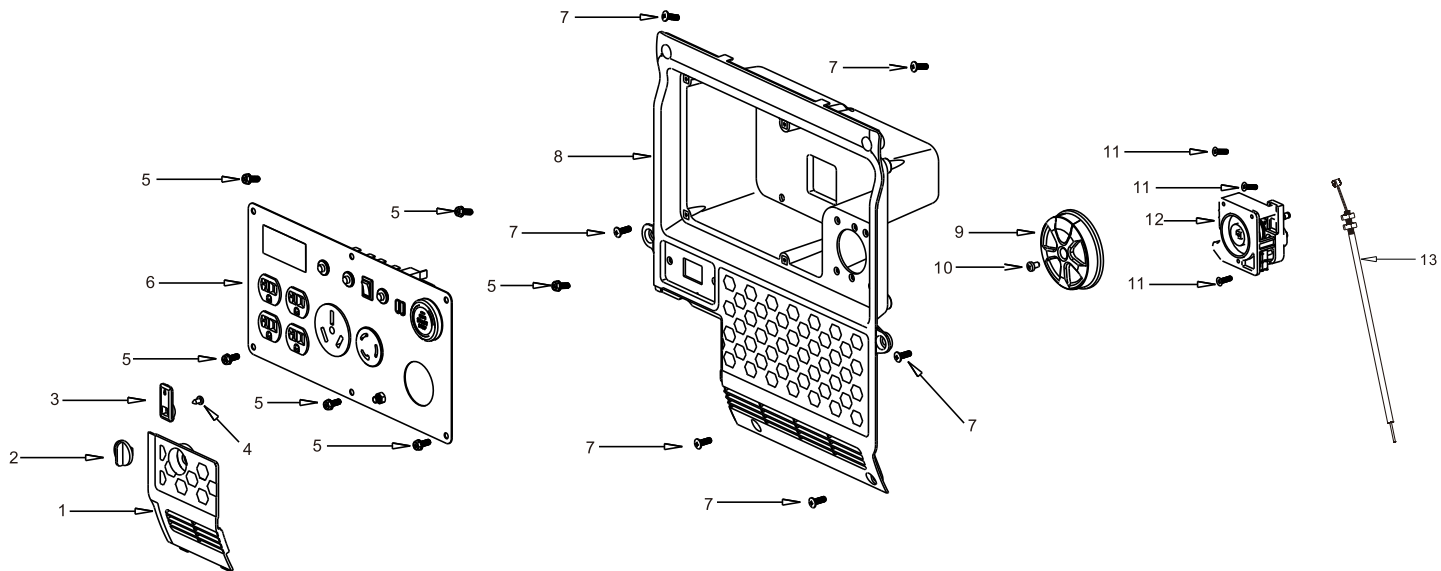
BACK COVER

No.	Part No.	Description	Quantity
1	7390.528.001V.00.00	Front Wheel	2
2	5787.06012.00.01	Bolt	2
3	4100.460.R001V.20.00	Non Standard Flat Pad	2
4	0818.05016.00.07	Cross Large Pan Head Screw	6
5	2435.528.0011.00.00	Muffler Side Cover	1

FUEL TANK



CONTROL PANEL



FUEL TANK

No.	Part No.	Description	Quantity
1	3200.487.C011.04.01	Fuel Tank Cap	1
2	3200.168.075V.00.05	Fuel Filter Screen	1
3	3200.528.0010.00.06	Circular Electronic Oil Mark	1
4	3201.528.C010.D7.00	Tank	1
5	3206.168.R001V.00.00	Fuel Tank Outlet Nozzle	1
6	5787.06025.00.01	Bolt	4
7	460.4100.R001V.20.00	Non Standard Flat Pad	4
8	3213.460.001V.00.00	Tank Bushing	4
9	3217.460.001V.00.00	Oil Tank Mounting Rubber Sleeve	4
10	2360.458.R002V.00.00	Ferrule	3
11	2330.528.C070.00.00	Fuel Oil Evaporation Collection Pipe	1
12	2360.458.R007V.00.00	Ferrule	1
13	2330.528.C050.00.22	Oil Tube	1
14	3200.487.004V.00.02	Tank Cover Chain	1

CONTROL PANEL

No.	Part No.	Description	Quantity
1	8748.528.001V.00.00	Battery Door	1
2	6378.528.001V.00.00	Knob	1
3	6542.528.001V.00.00	Stop Block	1
4	0845.42010.00.07	Self Tapping Screw	1
5	0818.05010.00.07	Cross Pan Head Screw	6
6	3370.528.0920.00.99	Control Panel Combination	1
7	0818.05016.00.07	Cross Large Pan Head Screw	6
8	6655.528.0011.00.00	Panel Seat	1
9	2141.528.0010.00.00	Three In One Switch Handle	1
10	0818.04014.00.01	Cross Pan Head Screw	1
11	0819.04212.00.01	Self Tapping Screw	3
12	2140.528.0010.00.00	Three In One Switch	1
13	2140.467.011V.00.03	Lasso Combination	1



Power Your World

Tomahawk understands to keep a job-site running smoothly the proper equipment and spare parts are needed at the drop of a hat. With same day shipping and faster delivery times, count on Tomahawk to keep you powered throughout the day! With long lasting parts and engines, Tomahawk equipment will be the star of your fleet for years to come. Visit www.tomahawk-power.com to get started today!

TOMAHAWK

TOMAHAWK®, LLC
San Diego, CA

Sales Support
(866) 577-4476
sales@tomahawk-power.com

Equipment Support
(866) 577-4476
support@tomahawk-power.com

www.tomahawk-power.com



FACEBOOK
facebook.com/TomahawkPowerUSA

YOUTUBE
youtube.com/TomahawkPower

INSTAGRAM
[@tomahawkpower](https://instagram.com/tomahawkpower)